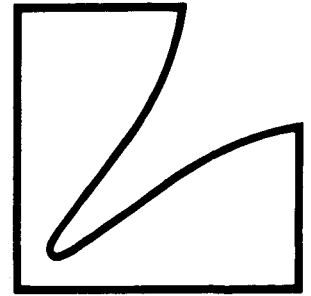
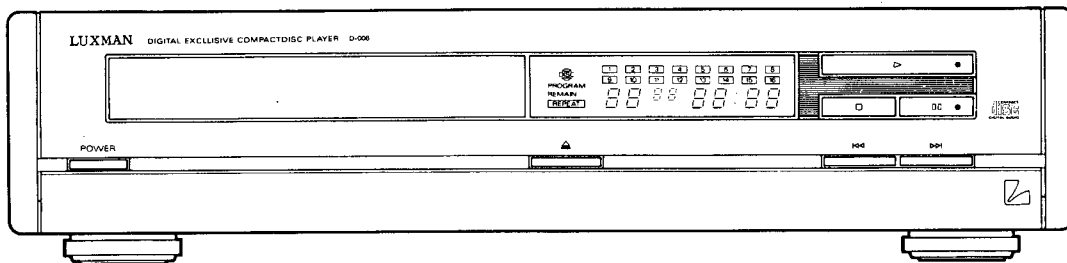


SERVICE MANUAL



Digital Exclusive Compact Disc Player

D-008



Contents

Specification	3
Controls, Switches, Jack & Terminals	4
Operation Guidelines	5 to 8
Care & Maintenance	9
Disassembly Instructions	10 to 11
Adjustment Procedures	12 to 13
Adjustment Locations	14 to 15
Block Diagram	16
Schematic Diagram	17 to 20
Parts Layout on P.C. Boards and Wiring Diagram (With Safety Regulations Version)	21 to 23
Parts Layout on P.C. Boards and Wiring Diagram (Without Safety Regulations Version)	25 to 27
Electrical Parts List	29 to 30
Cabinet Assembly Parts List	31
Exploded View (Cabinet)	32 to 33
Exploded View (Mechanism)	34 to 35
Mechanism Assembly Parts List	36
Packing Assembly Parts List	37
Packing Method View	37
Semi-Conductor Lead Identifications	38 to 41

Spare Schematic Diagram Inserted.

Specifications

<CD SECTION>

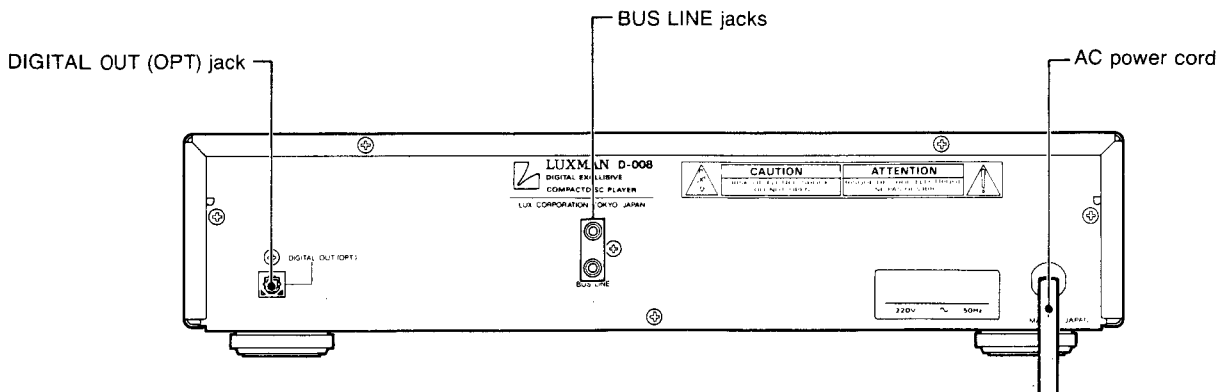
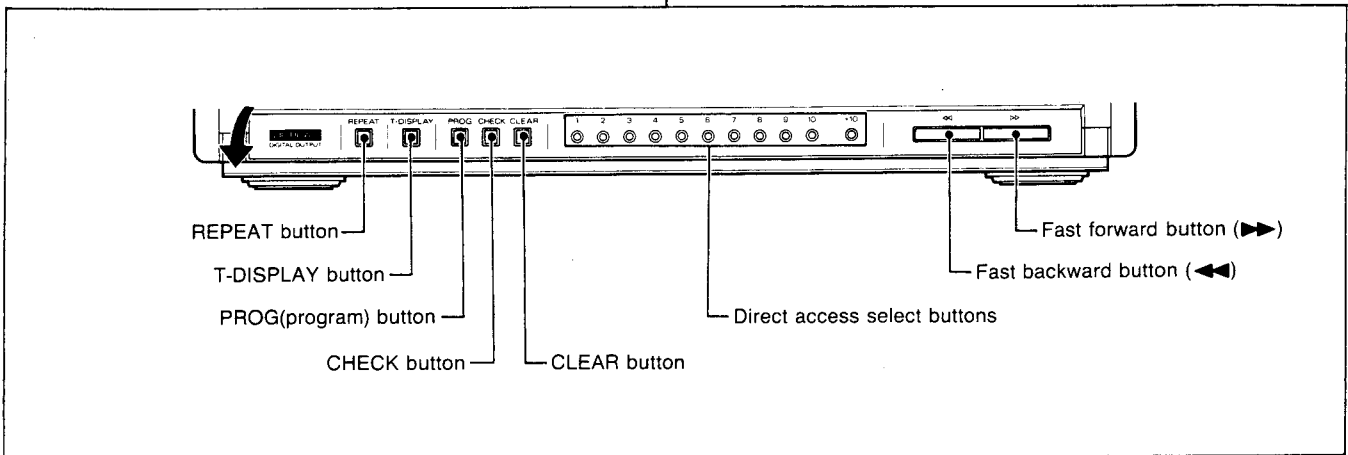
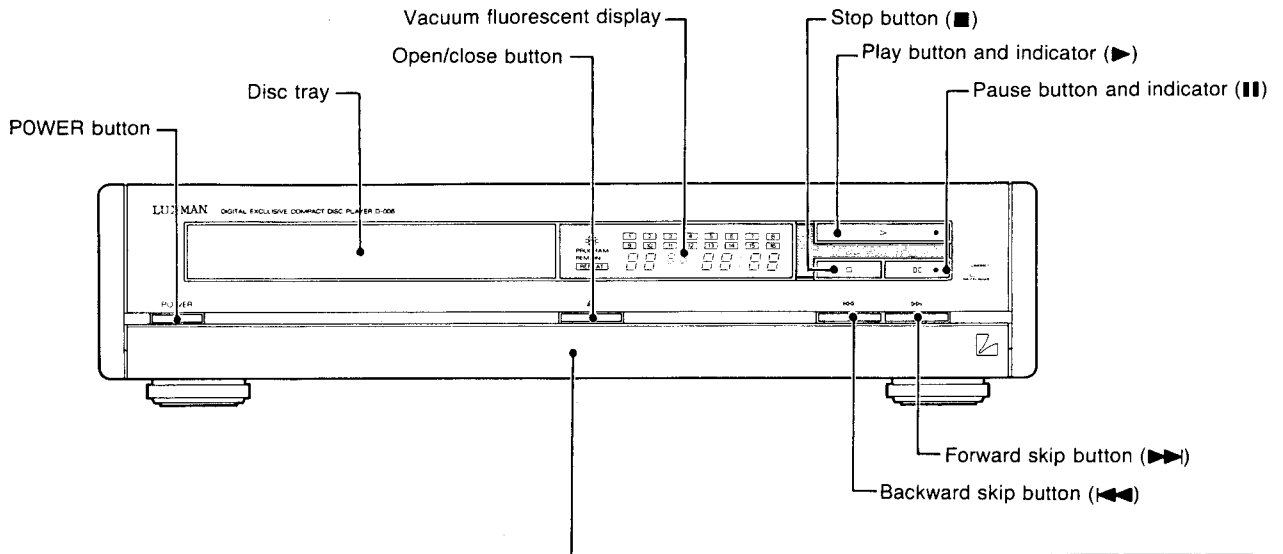
System	Optical (Compact Disc System)
Quantization	16bit linear
Channels	2 (Stereo)
Wow and Flutter	Unmeasurable
Digital Output Level (Opt)	-21~-15dBm
Pickup	Semiconductor laser type
Track Location	By track
Power Supply	AC 220 / 240V, 50Hz
Power Consumption	11W
Semiconductors	10 IC's, 23 Transistors, 22 Diodes, 1 Zener Diode
Dimensions	360 (W) × 90 (H) × 352 (D) mm
Weight	4.1kg

<COMPACT DISC>

Track Pitch	1.6 μ m
Modulation Frequency	44.1kHz
Transfer Rate	4.3218Mbit/sec.
Dimensions	120 / 80 × 1.2 mm

NOTE : Due to continuing product improvement, specifications and designs are subject to change without notice.

Controls, Switches, Jack & Terminals



Operation Guidelines

INITIAL SET-UP

Turn the power on to the component to be used. Turn the volume of the amplifier fully down, then adjust it to a suitable level just prior to playback.

Press the Open/Close Button on the D-008 and set a disc on the disc tray, label side up.

NOTE: To place an 8 cm single CD on the disc tray, align the edge of the disc with the groove for the 8 cm single CD on the disc tray.

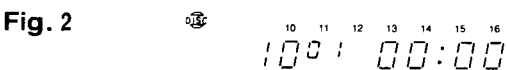
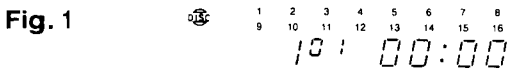
NORMAL PLAY


1. After the disc is loaded, press the Play Button.
2. Playback will begin from the first track number, continuing through the remaining tracks. As each track is completed, the number corresponding to it on the display will turn off.


NOTE: If the Repeat function is on, these numbers on the display will not turn off.

3. Playback automatically stops after the last track on the disc is played (unless in Repeat mode).

Examples:



In Figure 1, all the track numbers are displayed and the first coming track is displayed as 1 near the "DISC" () symbol.

In Figure 2, the tracks 1 through 9 have already been played back, and track 10 is currently in playback. The number 10 is displayed near the "DISC" () symbol.

Press the pause button to temporarily cease playback or to cue up a track or segment for recording, etc. To resume playback, press the "pause" button again or press the play button.

NOTE: Fast Forward/Backward skip and scan operations are still operable in the "pause" mode.

Press the stop button will stop playback and return the pick-up to the beginning of the disc. A second press will clear (reset) all memory contents.

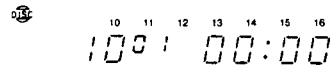
DIRECT ACCESS

1. Use the Direct Access Select Buttons (item #5) to specify a desired track.
2. All track numbers before this track will be cleared from the display, and playback will begin immediately.
3. Playback will stop automatically after the last track is played (unless in Repeat mode).

NOTE: If the Repeat function is on, the pickup will move to the desired track and playback will begin, then continue through all the tracks remaining on the disc. It will then go back to the beginning of the disc and into continuous repeat.

Direct Access to the 10th Track

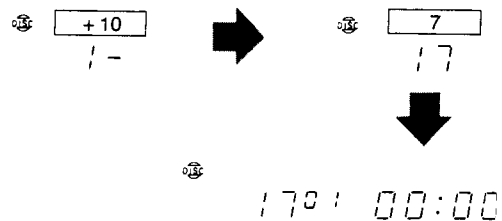
Press either Direct Access Select Button "10" or "+10" and the Play Button.



Direct Access From the 11th Track to the 19th Track

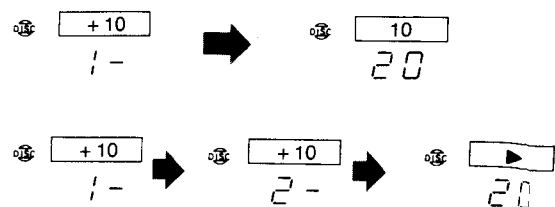
Press the Direct Access Select Buttons "+10" and a number from 1 through 9.

Example: For direct access to the 17th track, press "+10" and "7".



Direct Access to the 20th Track

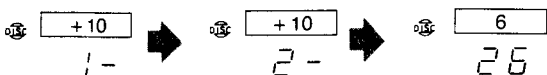
Press the Direct Access Select Buttons "+10" and "10", or "+10" twice and the Play Button.



Direct Access to the 21st Track and Above

Press the Direct Access Select Button “+10” twice, then press a number from 1 through 9.

Example: For direct access to track 26, press “+10”, “+10” and “6”.



NOTE: Direct Access will be cancelled unless a Direct Access Select Button other than “+10”, the Play Button, or the Pause Button is pressed within about 5 seconds after pressing “+10”.

The “+10” Button will not operate with discs containing 10 or fewer tracks.

PROGRAMMED PLAY OPERATIONS

Programming

1. Press the Program Button. “PROGRAM” will appear on the display. Choose a track number using the Direct Access Select Buttons. A red frame will light around that track number, and every other track number you program subsequently.

NOTE: For programming a track number higher than 10 on the disc, follow the instructions under “DIRECT ACCESS” for selecting the track number.

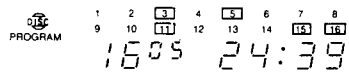
2. A maximum of 16 tracks can be programmed. If an attempt is made to program a 17th track, “FULL” will appear on the display for approximately 4 seconds, indicating that no more tracks can be programmed.

3. Programmed playback will begin immediately after the Play Button is pressed, beginning with the first track placed in memory.

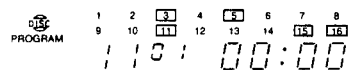
NOTE: Programming can only be done in the Stop mode.

Example for Programming Tracks 11, 3, 5, 15 and 16

1. Press the Program Button.
2. Specify tracks 11, 3, 5, 15 and 16 using the Direct Access Select Buttons. (Press “+10”, “1”, “3”, “5”, “+10”, “5”, “+10” and “6”).



The total time for the programmed tracks will be displayed.



3. Press Play Button.
4. Playback stops when all programmed tracks have been played.
5. The red frame around each track number will disappear as that track is played. All remaining tracks will have a frame around them.

NOTE: If the Repeat Button has been pressed, “REPEAT” will be displayed and the frames around the track numbers will re-appear when the sequence repeats. Only those tracks programmed will be repeated.

Memory Check

Use the CHECK button to check the order of the selections that have been programmed. With each successive push of this button, the track numbers that have been programmed will be shown to the left and the programmed order to the right in the track display area (the time portion of the display will turn off).

NOTE: “CHECK” operates only in the “Stop” mode.

Clearing Programs

1. To clear program from memory, you must be in Stop mode. Simply press the CLEAR Button once for each track number you wish to clear.

NOTE: Clearing will begin with the last track programmed.

2. To clear program from memory, you must be in Stop mode. Call the desired track by the check button, and press the CLEAR Button for clearing will begin with the displayed track.
3. To clear the entire program, either press the Program Button again or press the Stop (reset) Button twice.

Repeat

When the Repeat Button is pressed during normal playback, all tracks on the disc will be repeated continuously.

If the Repeat Button is pressed during programmed playback, all programmed tracks will be repeated continuously.

To cancel the Repeat mode, press the Repeat Button again and playback will continue to the end of the disc then stop, or press the Stop (reset) Button and playback will stop immediately.

TO SKIP TRACKS FORWARD OR BACKWARD

TO SKIP TRACKS FORWARD

- ▶▶ ... Each pressing of the forward skip button skips tracks in forward direction one by one, and the next track is played from the beginning.
- ▶▶ ... Keep the forward button pressed for fast forwarding.

TO SKIP TRACKS BACKWARD

- ◀◀ ... One pressing of the backward skip button repeats the current track from the beginning. Further pressing skips tracks in backward direction one by one, and the next track is played from the beginning.
- ◀◀ ... Keep the backward button pressed for fast reversing.

TO CHANGE THE INDICATION

Each press of the T-DISPLAY button selects either following disc timing displays:

“Single Elapsed” — Time elapsed since beginning of current track. This occurs with “REMAIN” indicator OFF.

“Total Remain” — Play time remaining on entire disc. This occurs with “REMAIN” indicator ON.

NOTE 1. When in programmed play mode, the remaining time displayed will be that of the selections programmed, not the entire disc.

NOTE 2. If the Skip or Scan Buttons are used during programmed playback, the remaining time display will turn off.

By joining the D-008 to the L component system (A-008, K-008, T-008, etc.), remote control, timer-activated play, timer-activated programmed play and synchronized recording can be performed.

OPERATION WITH THE REMOTE CONTROL UNIT

When the BUS LINE jacks are connected to the L component system, the following buttons can be operated with the RA-008 remote control unit. For further details, refer to the owner's manual of the A-008 amplifier.

	1	2	3	4	5	6	7	8	9	10	+10
Direct access buttons	⊙	⊙	⊙	⊙	⊙	⊙	⊙	⊙	⊙	⊙	⊙
Play button	▶										
Pause button	⏸										
Stop button	⏹										
Forward skip button	▶▶										
Backward skip button	◀◀										

TIMER ACTIVATED PLAY/PROGRAMMED PLAY

When the BUS LINE jacks are connected to the L component system, timer activated play or programmed play can be performed using the timer function of the T-008 tuner.

- Set the turn-on time and turn-off time using the timer of the T-008. Press the TIMER button to indicate the timer indication on the display. For further details, refer to the owner's manual of the T-008 tuner.
- Press CD of the input select buttons of the A-008 amplifier. For further details, refer to the owner's manual of the A-008 amplifier.
- Place the compact disc to be played.
 - For programmed play, program tracks in the desired order in advance.
- Press the POWER button of the A-008 amplifier and turn off the power.
- When the turn-on time set with the T-008 has come, play or programmed play is started.

SYNCHRONIZED RECORDING

When the BUS LINE jacks are connected to the L component system, synchronized recording can be performed. With the touch of a button on the A-008 amplifier, the K-008 cassette deck is set to recording mode and simultaneously CD play is started.

- Insert a cassette tape on deck B of the K-008 cassette deck and perform preparatory operation for recording. For further details, refer to the owner's manual of the K-008 cassette deck.
- Press CD of the input select buttons and set the REC SELECTOR to "CD/ex.digital" on the A-008 amplifier. For further details, refer to the owner's manual of the A-008 amplifier.
- Place the compact disc to be recorded on this unit.
 - To record tracks in the desired order, perform programmed play operation.
- Press the "synchro" button of the A-008 amplifier. The K-008 cassette deck is set to recording mode and simultaneously this unit starts playing.
 - Set this unit to pause mode during synchronized recording, and the K-008 cassette deck is set to recording pause mode after a 4 second blank has been inserted. On the other hand, when the K-008 cassette deck is set to recording pause mode, this unit is set to stop mode simultaneously.
 - Set this unit to stop mode during synchronized recording, and the K-008 cassette deck is set to stop mode after a 4 second blank has been inserted. On the other hand, when the K-008 cassette deck is set to stop mode, this unit is set to stop mode simultaneously.

Care & Maintenance

PRECAUTIONS

Condensation may occur inside the set if it is brought into a warm room from the cold or if a cold room is heated quickly. If this happens, drops of water may form on the pickup, scattering the laser beam and hampering operation.

The extent of condensation depends on various conditions, but if condensation should occur, remove the disc, turn on the power and wait at least one hour before using the unit.

PROPER CARE OF COMPACT DISCS

Improper handling of your discs will shorten their life. Hold discs so that you will not leave fingerprints on the surfaces.

When your discs are not in use, place them in their cases and store in a place away from the sun, high temperature, humidity, and dust. Should your discs require cleaning, use a clean soft cloth only. Do not use oil or chemically treated cloths.

CLEANING

The durable finish of the knobs and front panel will last indefinitely with proper care and cleaning. Never use scouring pads, steel wool, scouring powders, or harsh chemical agents, such as lye solution. These will mar the finish. Clean with a soft, lint-free cloth or cotton swab slightly dampened with a mild solution of detergent and water.

REPACKING FOR SHIPMENT

Should it become necessary to ship your D-008 for any reason, use the original packing materials. If these are no longer available, be sure that adequate materials, at least equivalent to the original, are used.

REPAIRS

Only the most competent and qualified service technicians should be allowed to service the D-008. The Luxman company and its factory-trained warranty station personnel have the knowledge and special equipment needed for repair and calibration of this precision instrument.

In the event of difficulty, call the Luxman Authorized Service Station nearest your home or business. In many cases, the dealer where you purchased your Luxman unit will be equipped to provide service.

Disassembly Instructions

<Cabinet Section>

1. Removal of CD Mechanism

- (1) After removal of the top cover, open the disc tray as shown in Figure 1.
- (2) Remove the tray panel in the arrow direction as shown in Figure 1.
- (3) Remove three screws marked "○" as shown in Figure 2.
- (4) Disconnect all connectors from the CD Mechanism.

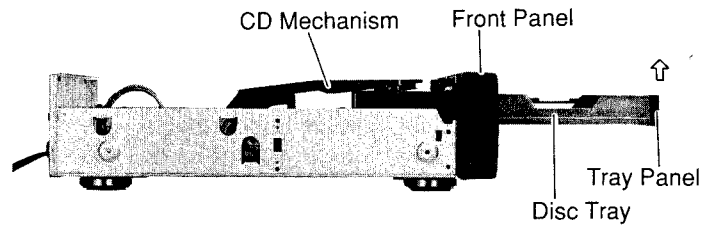


Figure 1

2. Removal of Keyboard P.C.Board

- (1) After removal of the tray panel, remove the front panel by disconnecting the all connectors from Main P.C.Board as shown in Figure 2.
- (2) Remove three screws marked "x" as shown in Figures 2 and 4.
- (3) Remove six hooks (A) as shown in Figure 4.
- (4) Removed with Keyboard P.C.Board and Power SW P.C.Board.

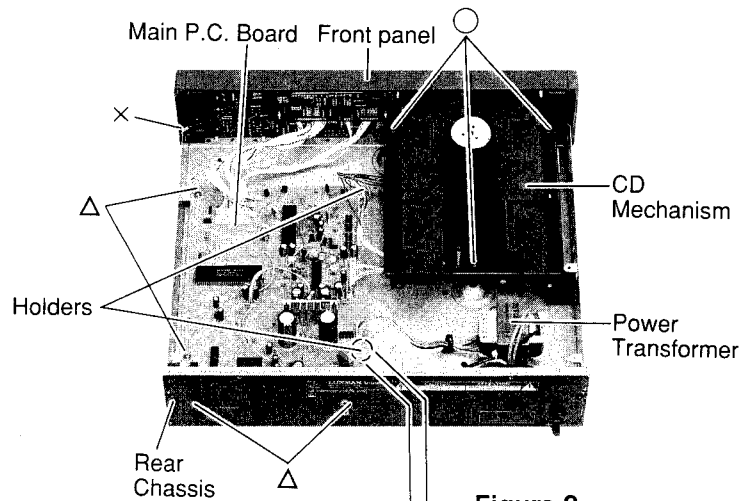


Figure 2

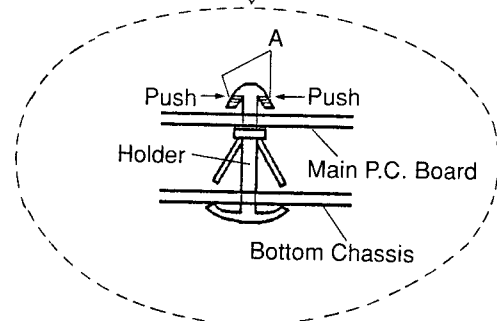


Figure 3

3. Removal of Power SW P.C.Board

- (1) Disconnect a connector from the Keyboard P.C.Board.

4. Removal of FL P.C.Board

- (1) After removal of the tray panel, remove the front panel by disconnecting the all connectors from Main P.C.Board as shown in Figure 2.
- (2) Remove a hook (B) as shown in Figure 4.

5. Removal of Main P.C.Board

- (1) After removal of the top cover, remove four screws marked "△" as shown in Figure 2.
- (2) Remove two holders from Main P.C.Board as shown in Figure 2, by pushing the point "A" as shown in Figure 3.
- (3) Disconnect all wires from Main P.C.Board.

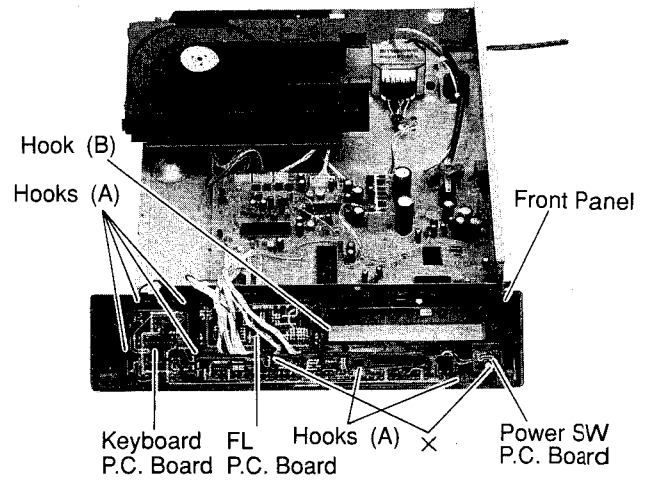
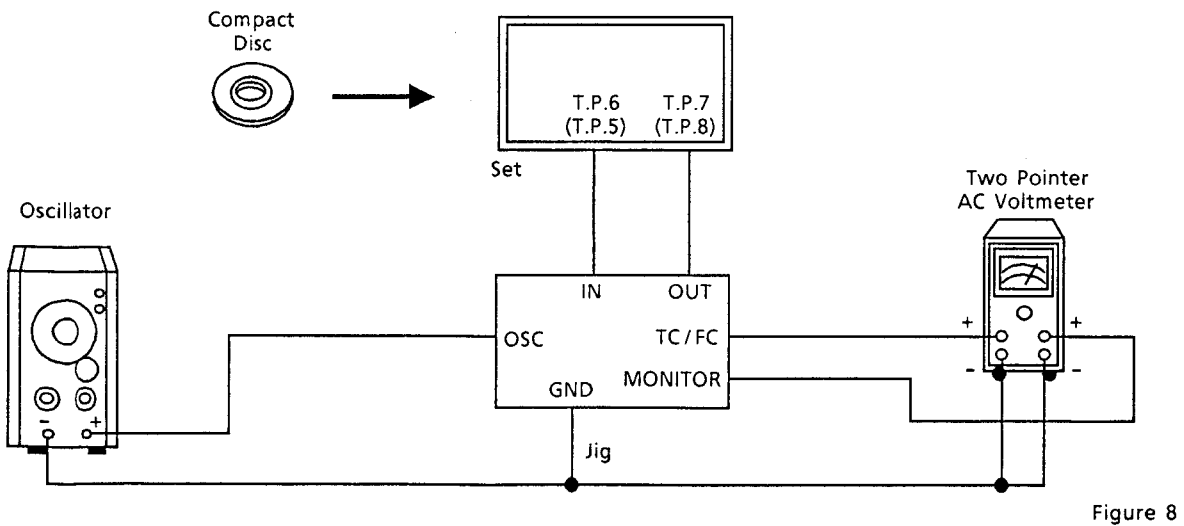
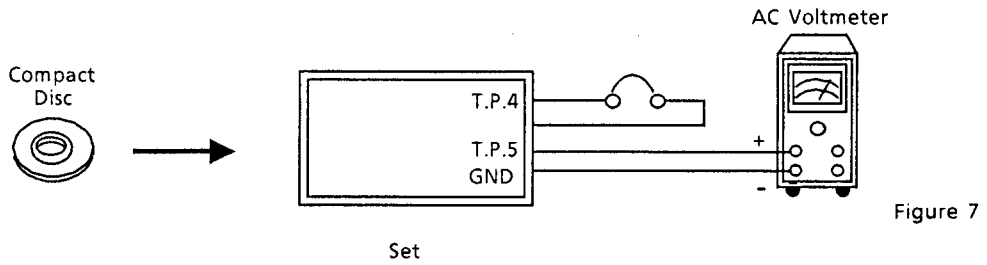
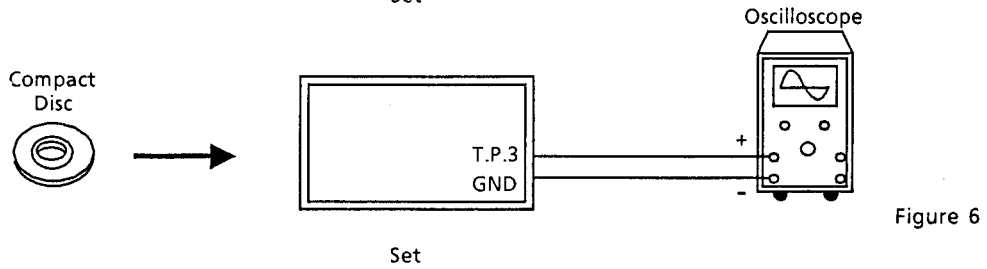
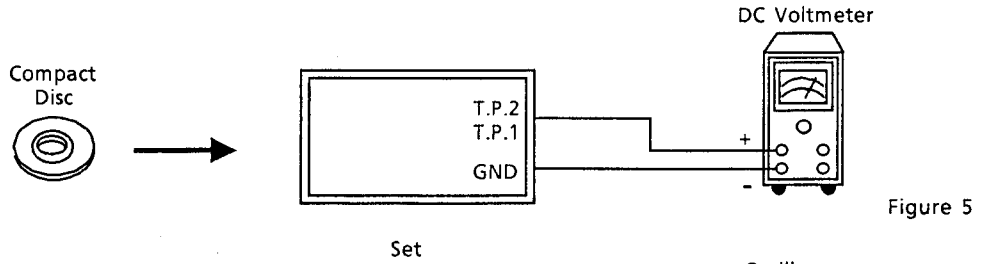


Figure 4

Adjustment Procedures

1. Compact Disc Section

(1) Connections



(2) Control Settings

Power Switch	ON
Play Switch	ON
Others	OFF

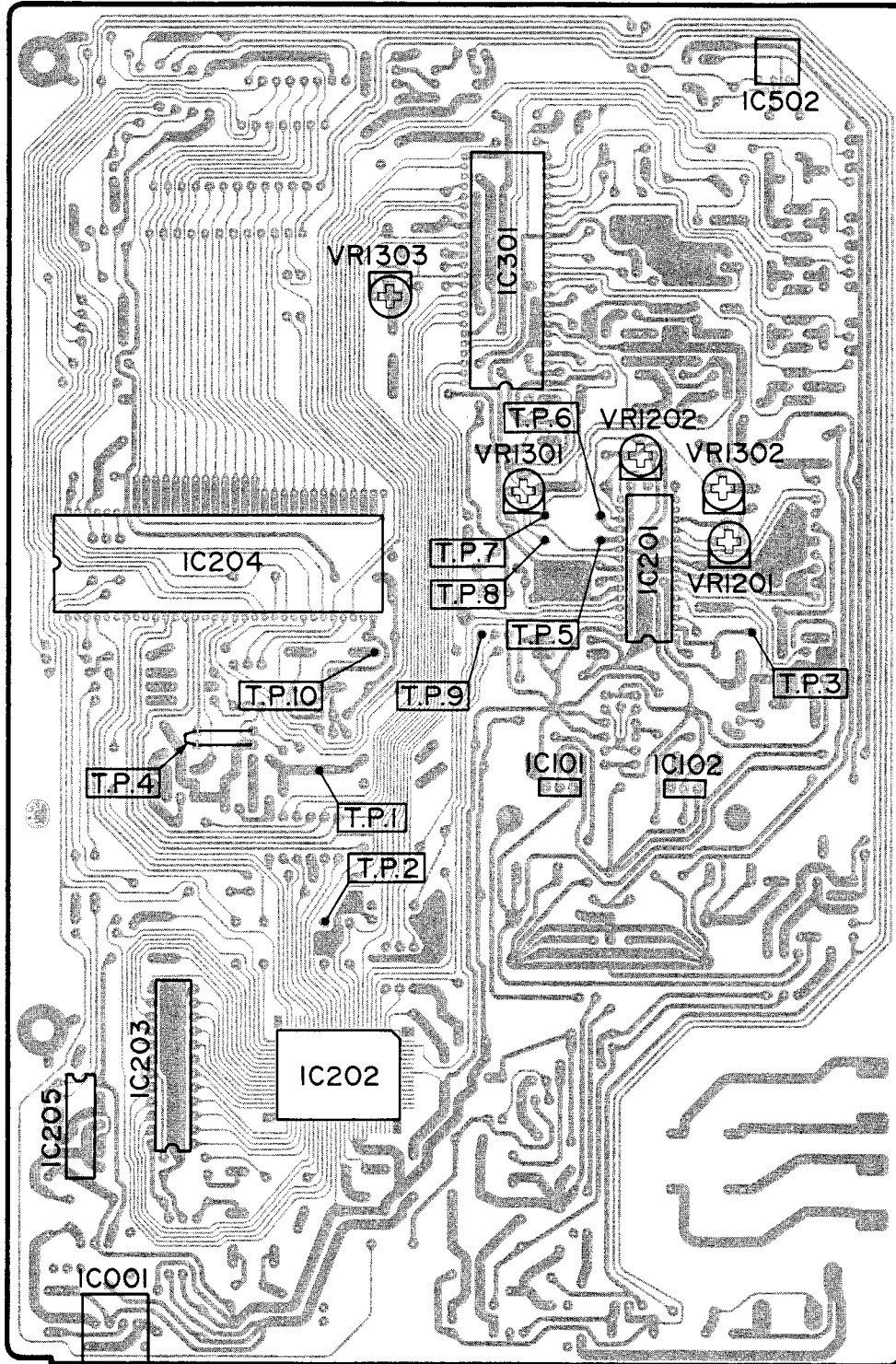
(3) Adjustment Procedures

Step	Description	Connections	Oscillator	Test Point	Adjustment
1	VCO Adjustment	Figure 5	-	T.P.1 T.P.2	After shortcircuiting T.P.9 and T.P.10, take measurement of the voltage at the T.P.1. Then adjust VR1303 so that the output voltage at the T.P.2 becomes 1/2 of the voltage at the T.P.1.
2	Focus Bias Adjustment	Figure 6	-	T.P.3	Adjust VR1202 so that the waveform of oscilloscope becomes maximum.
3	Tracking Error Balance Adjustment	Figure 7	-	T.P.4 T.P.5	After shortcircuiting T.P.4 and turning VR1301 fully counterclockwise, adjust VR1201 so that the voltage is $0V \pm 50mV$. After the adjustment set VR1301 to it's center position.
4	Tracking Gain Adjustment	Figure 8	1kHz 100mV	T.P.6 T.P.7	Adjust VR1302 so that both arms of the voltmeter come at the same position.
5	Focus Gain Adjustment	Figure 8	1kHz 100mV	T.P.5 T.P.8	Adjust VR1301 so that both arms of the voltmeter come at the same position.

Note : Test CD

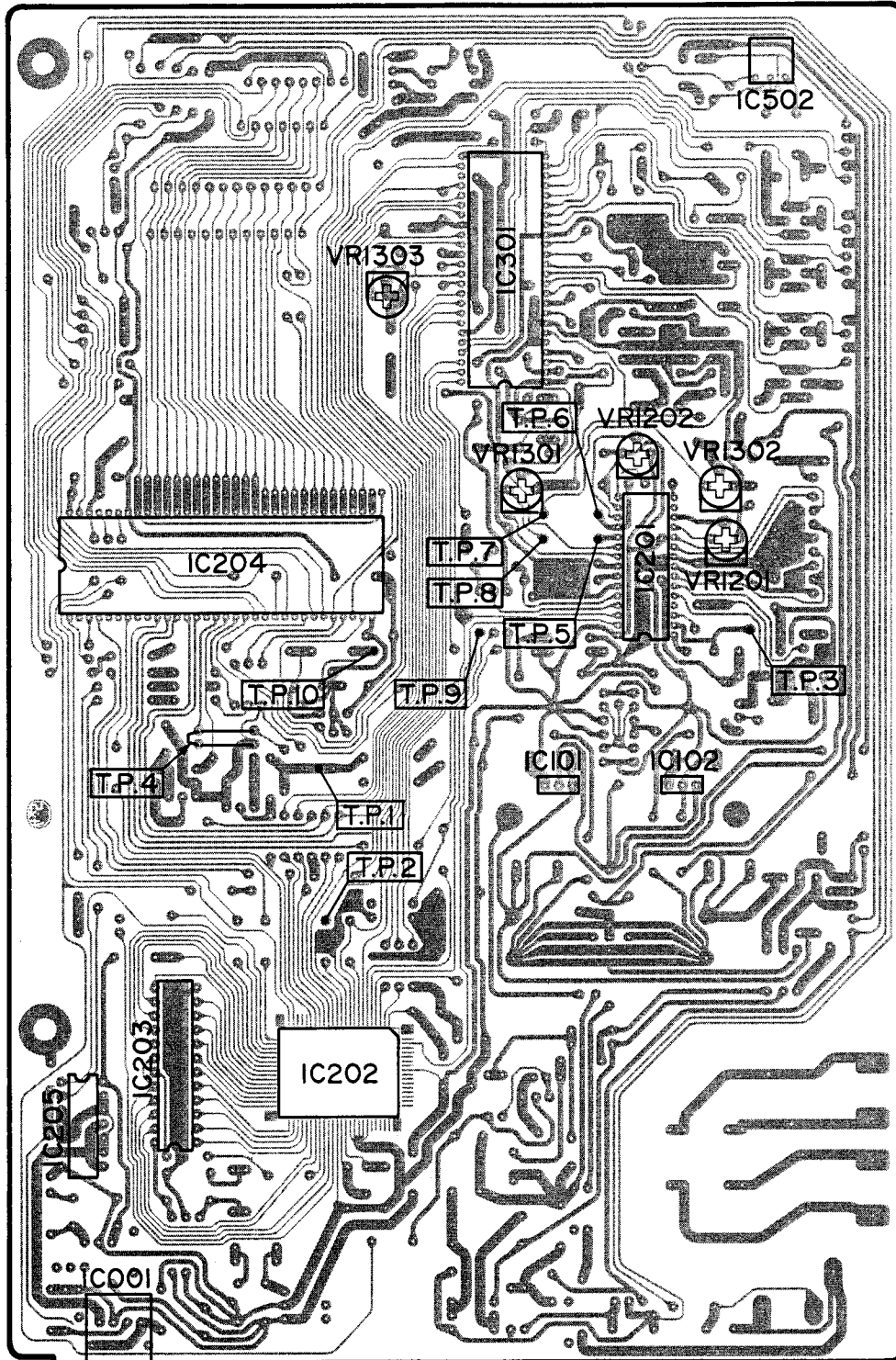
Use the 2nd track on the SONY YEDS-18 CD or
A-BEX TCD-782 CD.

Adjustment Locations (With Safety Regulations Version)



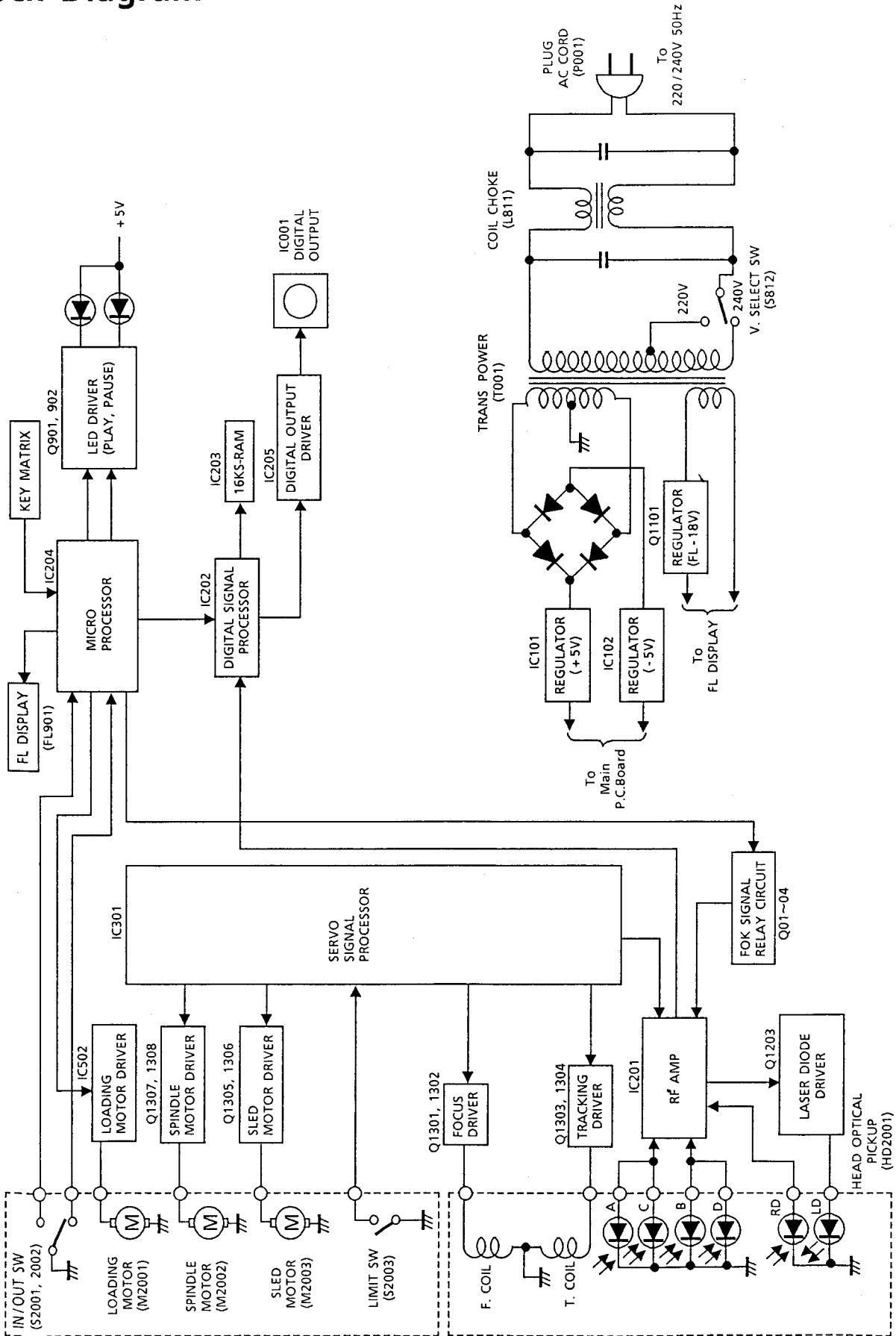
Main P.C. Board (Component Side)

(Without Safety Regulations Version)

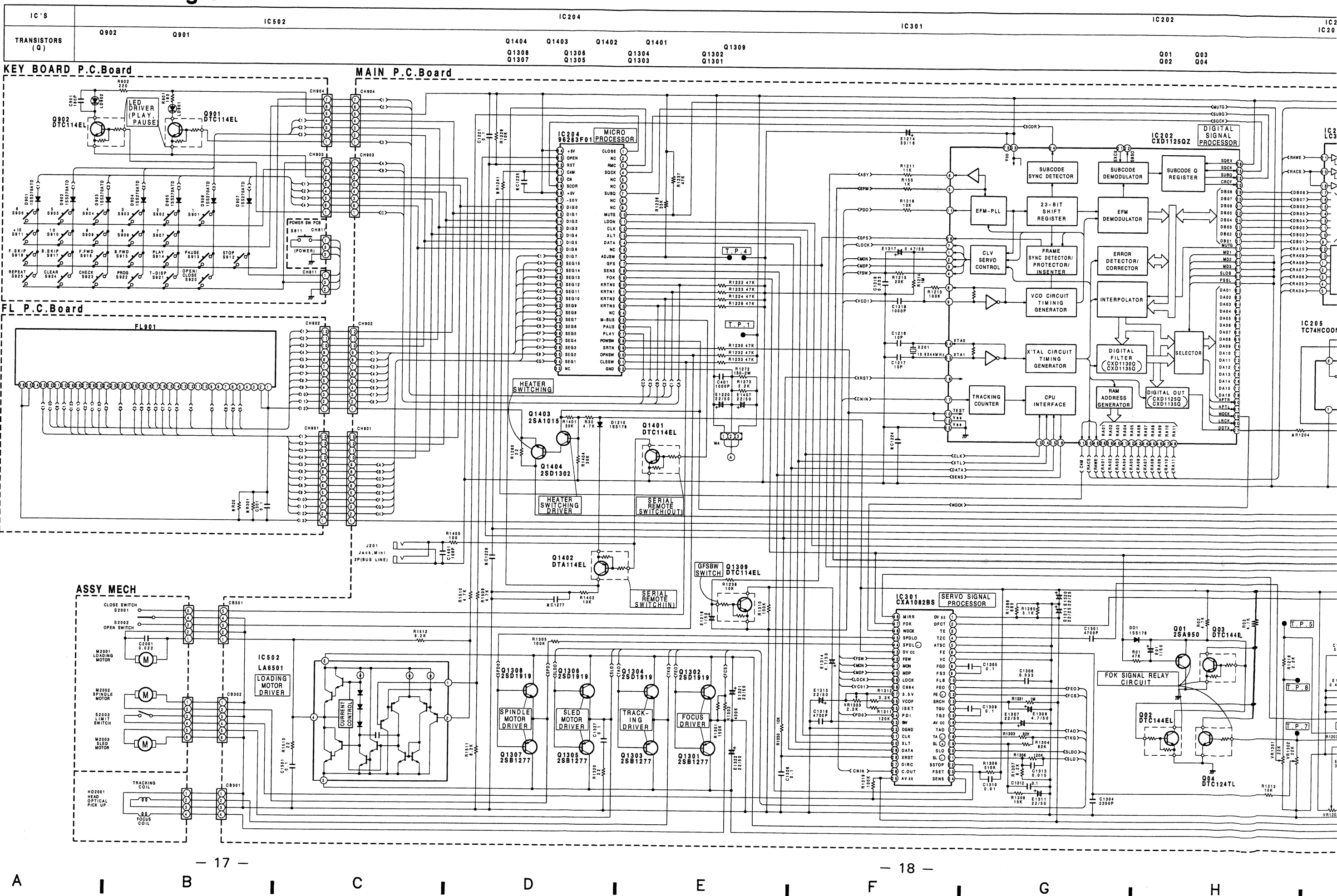


Main P.C. Board (Component Side)

Block Diagram

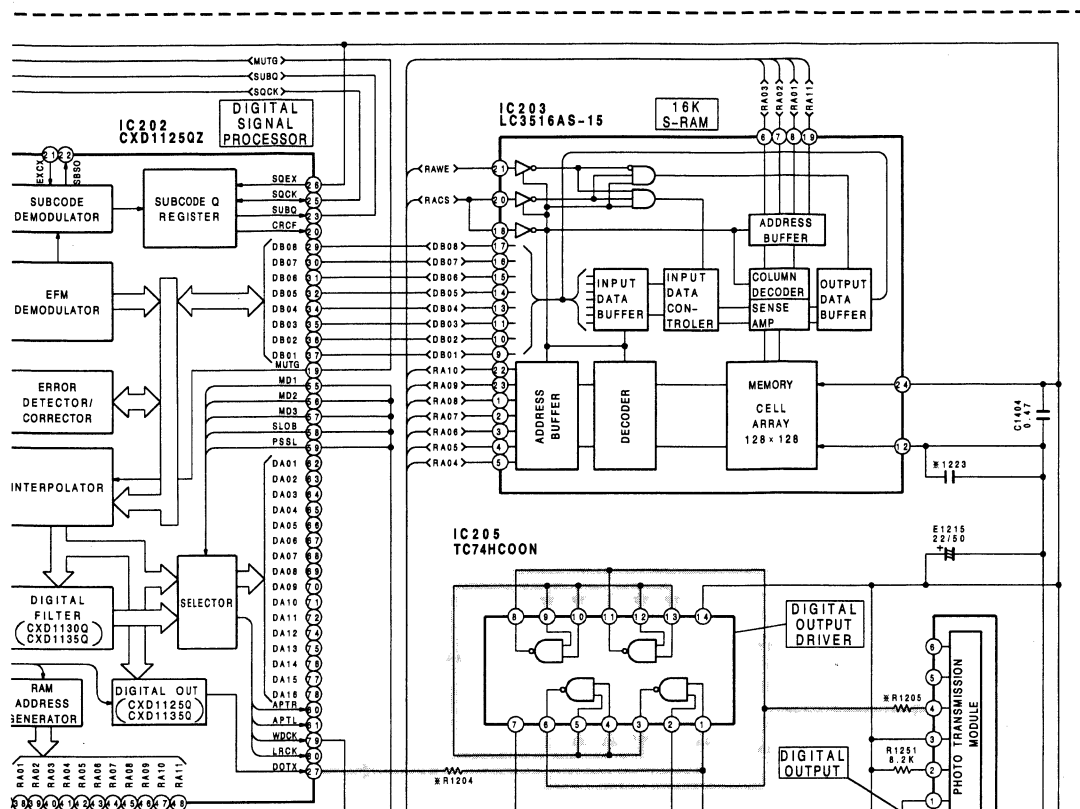
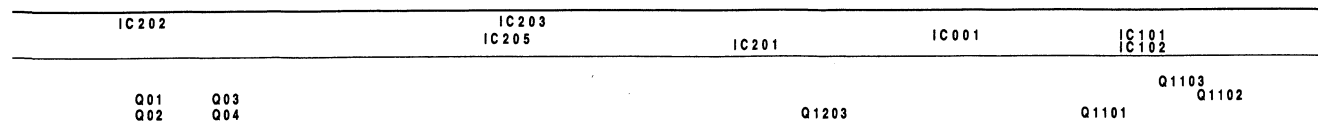


Schematic Diagram



NOTE
 1. All resistance values are in ohms. K=1,000 M=1,000,000
 2. All capacitance values are in microfarads. P=1,000,000

Voltage Measuring Conditions
 1. Power Supply Voltage : 220/240V, 50Hz
 2. Measuring Meter : Digital Multimeter
 3. Measuring Point Reference : Between Ground
 4. Measuring Conditions : No Sound Track(Play)



IC202				IC204				IC301				IC203			
1	0.8V	41	2.5V	1	0V	33	-	1	-5V	25	-5V	1	2.5V	13	1.7V
2	5V	42	2.5V	2	-	34	2.2V	2	-5V	26	0.1V	2	2.5V	14	1.7V
3	2.6V	43	2.5V	3	0V	35	3.5V	3	0V	27	-	3	2.5V	15	0.6V
4	2.8V	44	2.5V	4	5V	36	-6.7V	4	0V	28	5V	4	2.5V	16	1.6V
5	2.5V	45	2.5V	5	-	37	0.5V	5	0V	29	0.8V	5	2.5V	17	1.7V
6	2.5V	46	2.6V	6	-	38	3.7V	6	0.1V	30	5V	6	2.5V	18	2.6V
7	5.1V	47	2.6V	7	1.9V	39	-5.8V	7	0V	31	4.8V	7	2.5V	19	2.6V
8	2.4V	48	2.6V	8	-	40	0.2V	8	0V	32	0V	8	2.5V	20	2.2V
9	2.4V	49	4.4V	9	-	41	0.8V	9	0V	33	2.5V	9	3V	21	4.4V
10	0V	50	2.2V	10	0V	42	-23.3V	10	0V	34	2.5V	10	3V	22	2.6V
11	3.4V	51	2.3V	11	0V	43	4.9V	11	0.9V	35	2.2V	11	1.7V	23	2.6V
12	0V	52	0V	12	4.8V	44	-24.8V	12	0V	36	2.3V	12	0V	24	5V
13	4.8V	53	2.5V	13	5V	45	-15.3V	13	0.3V	37	3.5V				
14	5V	54	2.5V	14	0.9V	46	-27.6V	14	0V	38	2.4V				
15	0.9V	55	0V	15	-	47	-28.1V	15	0V	39	5.1V				
16	5V	56	0V	16	4.8V	48	-23.1V	16	5.1V	40	2.6V				
17	0V	57	0V	17	5V	49	-16.8V	17	0.1V	41	5V				
18	0.7V	58	0V	18	0.7V	50	-25V	18	0V	42	2.7V				
19	0V	59	0V	19	4.9V	51	-19.3V	19	0V	43	0V				
20	-	60	-	20	0V	52	-22.4V	20	0.9V	44	0V				
21	-	61	-	21	0V	53	-21V	21	0V	45	1.1V				
22	-	62	-	22	0V	54	-24.8V	22	-4.6V	46	2.5V				
23	1.9V	63	-	23	0V	55	-23.8V	23	-4V	47	0.4V				
24	0V	64	-	24	-	56	-25.1V	24	0.7V	48	0V				
25	5V	65	-	25	0V	57	-29V								
26	5V	66	-	26	0V	58	5V								
27	5V	67	-	27	4.9V	59	0V								
28	5V	68	-	28	3.4V	60	-								
29	1.7V	69	-	29	0V	61	2.4V								
30	1.6V	70	-	30	4.9V	62	4.9V								
31	1.6V	71	-	31	0V	63	0V								
32	1.7V	72	-	32	0V	64	5.1V								
33	5V	73	5V												
34	1.7V	74	-												
35	1.7V	75	-												
36	3V	76	-												
37	3V	77	-												
38	2.5V	78	-												
39	2.5V	79	2.5V												
40	2.5V	80	-												

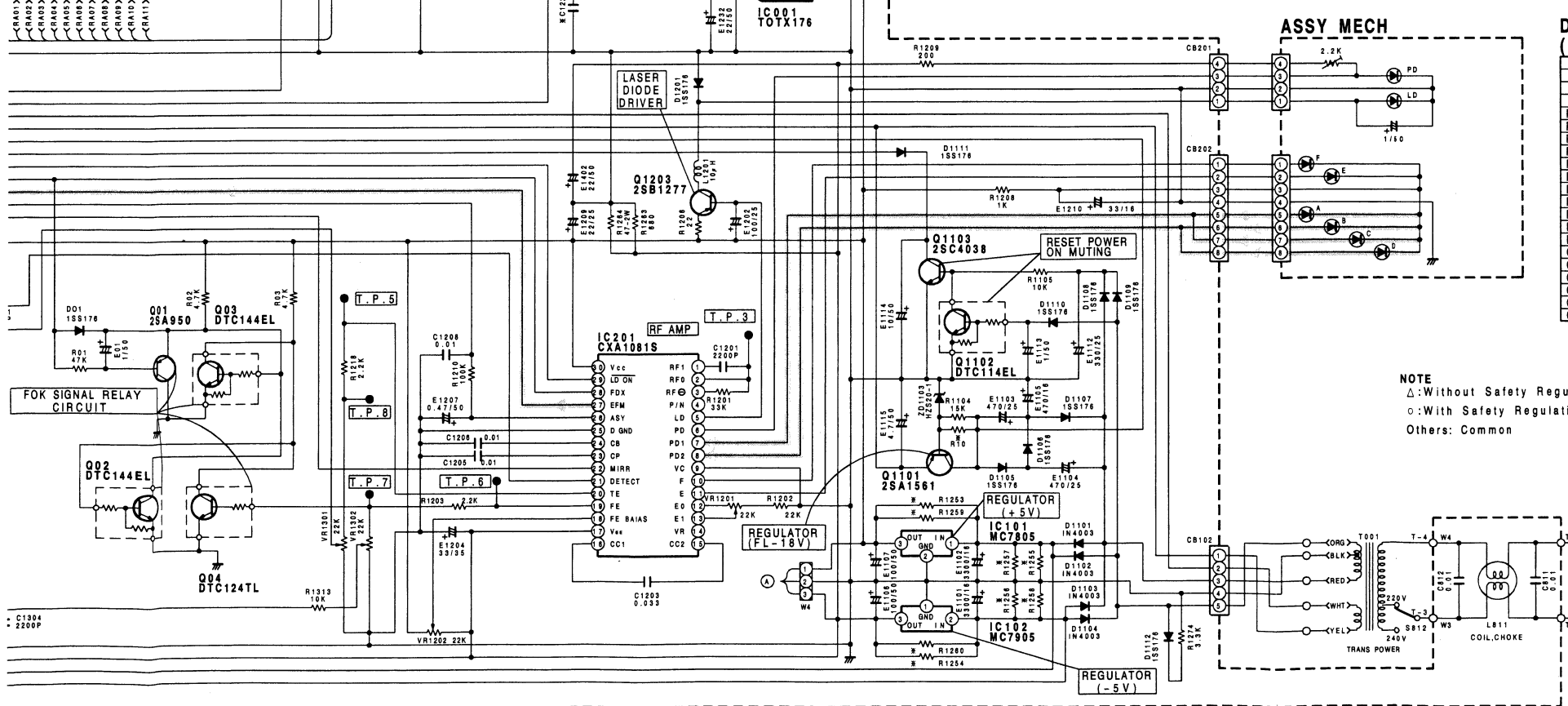
IC201			
1	0V	16	-1.45V
2	0.9V	17	-5V
3	0V	18	-0.3V
4	-	19	-0.5V
5	3.3V	20	0V
6	-4.8V	21	-4.9V
7	0V	22	0V
8	0V	23	-1.1V
9	0V	24	-0.7V
10	0V	25	0V
11	0V	26	2.5V
12	-0.5V	27	2.5V
13	-0.3V	28	5V
14	-	29	0V
15	-1.5V	30	5.1V

IC001			
1	0V		
2	2.4V		
3	5V		
4	2.4V		
5	-		
6	-		

IC502			
1	5V	8	0V
2	2.5V	9	2.5V
3	2.5V	10	2.5V
4	2.5V	11	2.5V
5	2.5V	12	2.5V
6	2.5V	13	3.4V
7	2.5V	14	2.4V

IC102			
1	0V		
2	-10V		
3	-5V		

IC101			
1	9.6V		
2	0V		
3	5V		

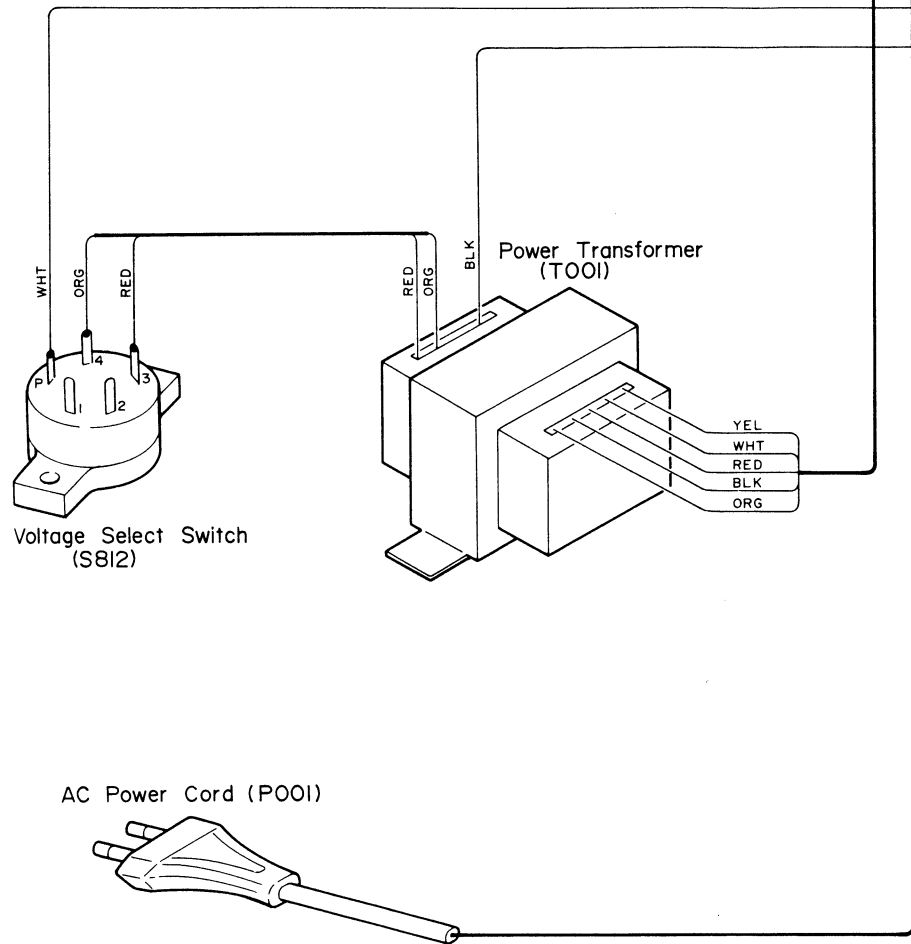


Difference List ('*' Marked Parts)

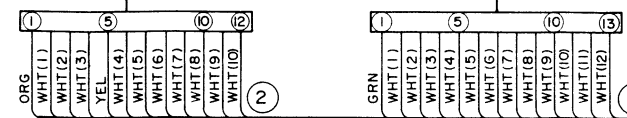
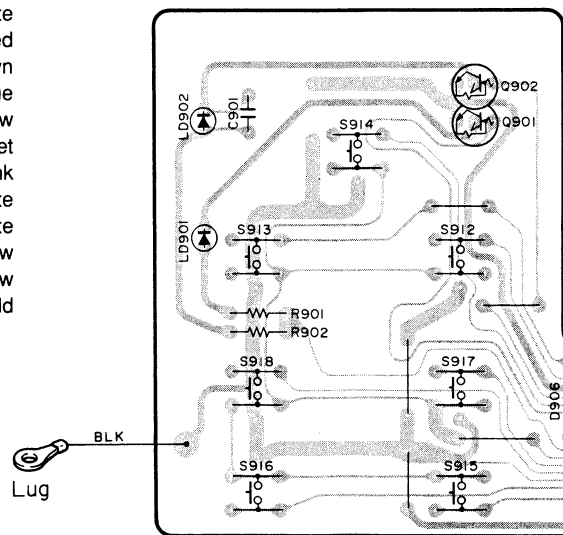
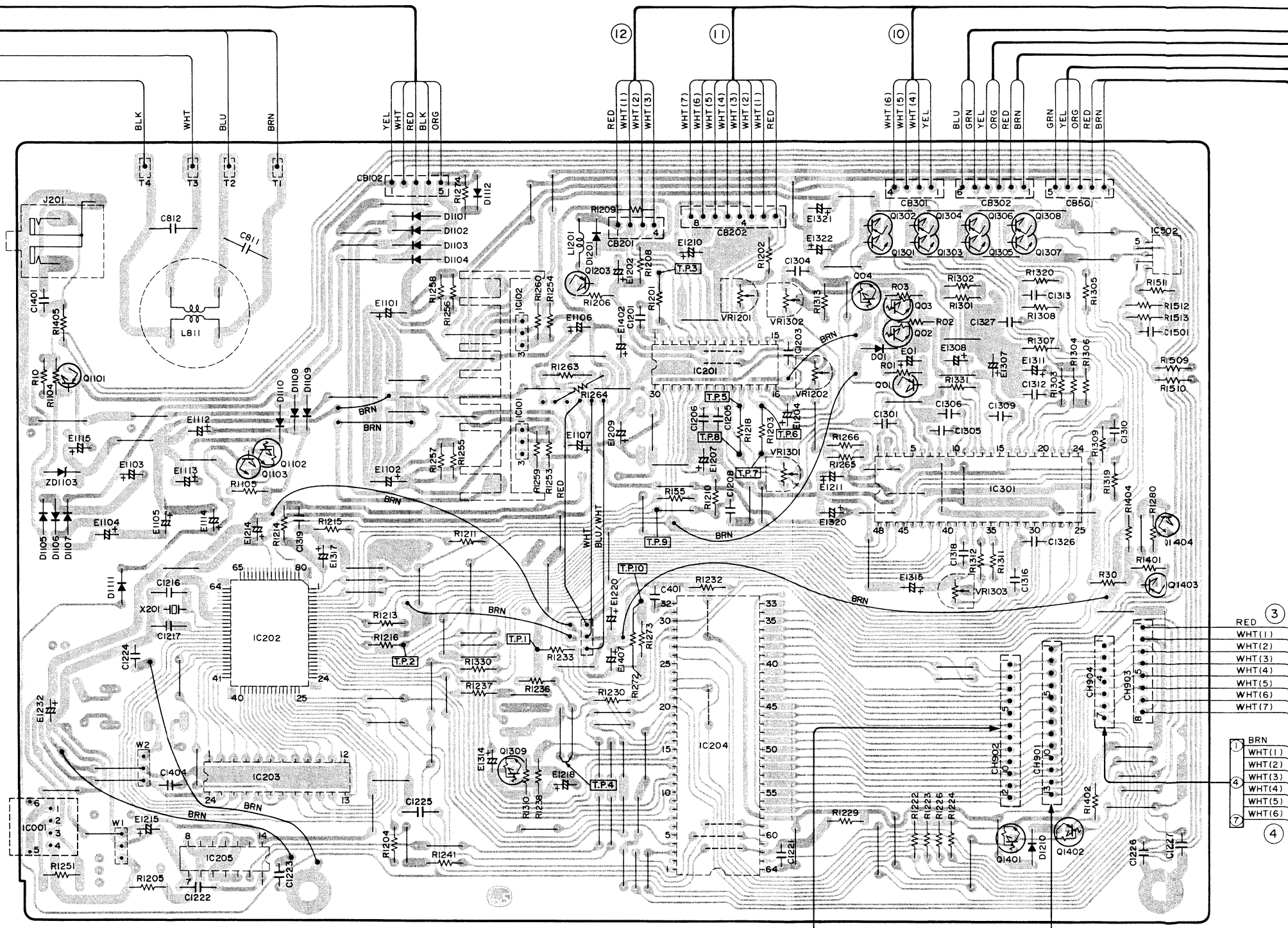
Part No.	Value	Value
R10	180K	130K
R20	39K	43K
R301	5.6K	4.7K
R1204	Jumper	220
R1205	Jumper	220
R1241	3.3K	1K
R1253	820K	360K
R1254	820K	360K
R1255	56K	82K
R1256	56K	82K
R1257	5.6K	12K
R1258	5.6K	12K
R1259	51K	11K
R1260	51K	11K
C1222	Not Used	33P
C1223	Not Used	0.1
C1224	Not Used	0.1
C1225	Not Used	33P
C1226	Not Used	0.47
C1227	Not Used	0.1

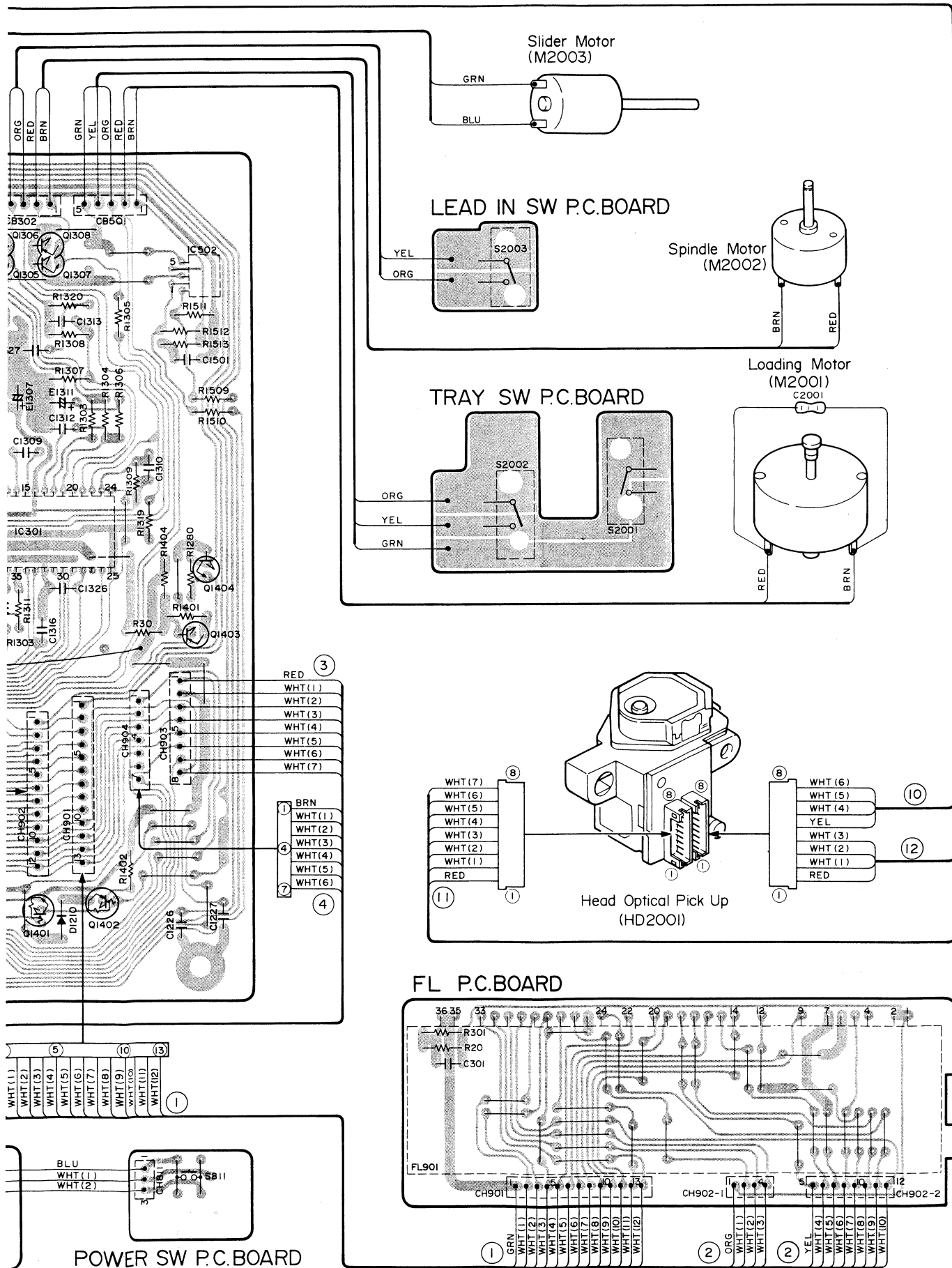
NOTE
 Δ: Without Safety Regulations Version
 ○: With Safety Regulations Version
 Others: Common

Parts Layout on P.C. Boards and Wiring Diagram (With Safety Regulations Version)



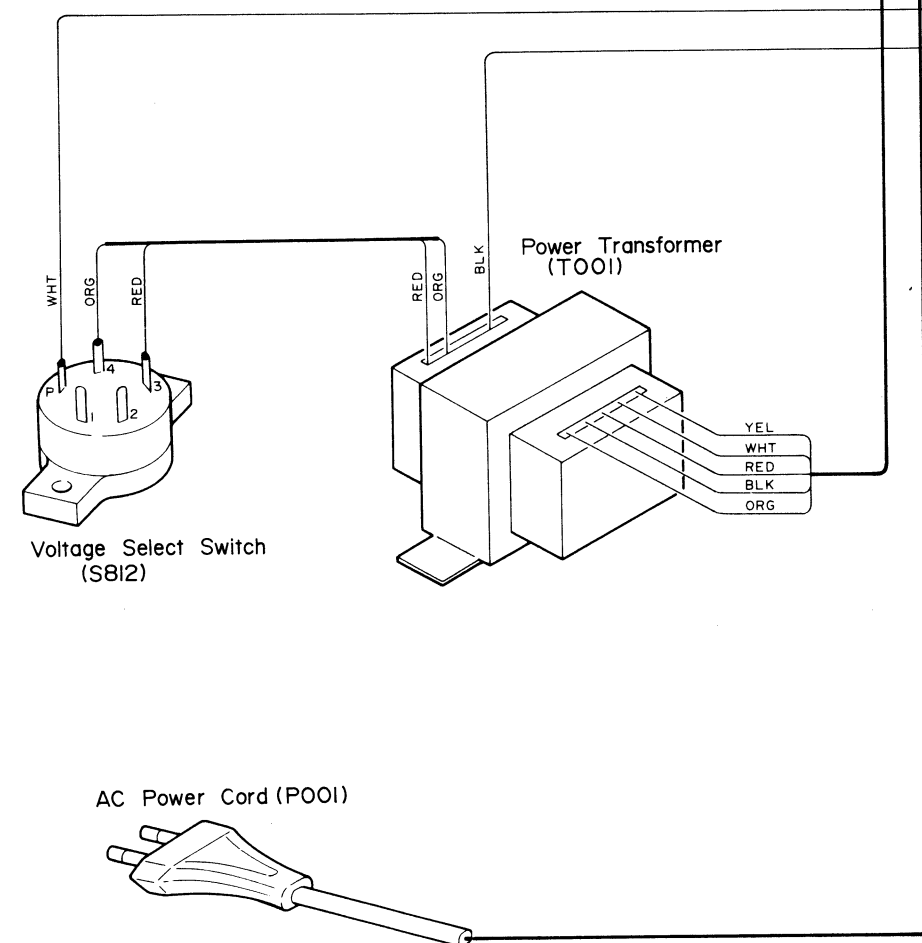
- BLU Blue
- GRN Green
- BLK Black
- GRY Gray
- WHT White
- RED Red
- BRN Brown
- ORG Orange
- YEL Yellow
- VIO Violet
- PNK Pink
- GRN/WHT Green/White
- GRY/WHT Gray/White
- GRY/YEL Gray/Yellow
- GRN/YEL Green/Yellow
- SHLD Shield



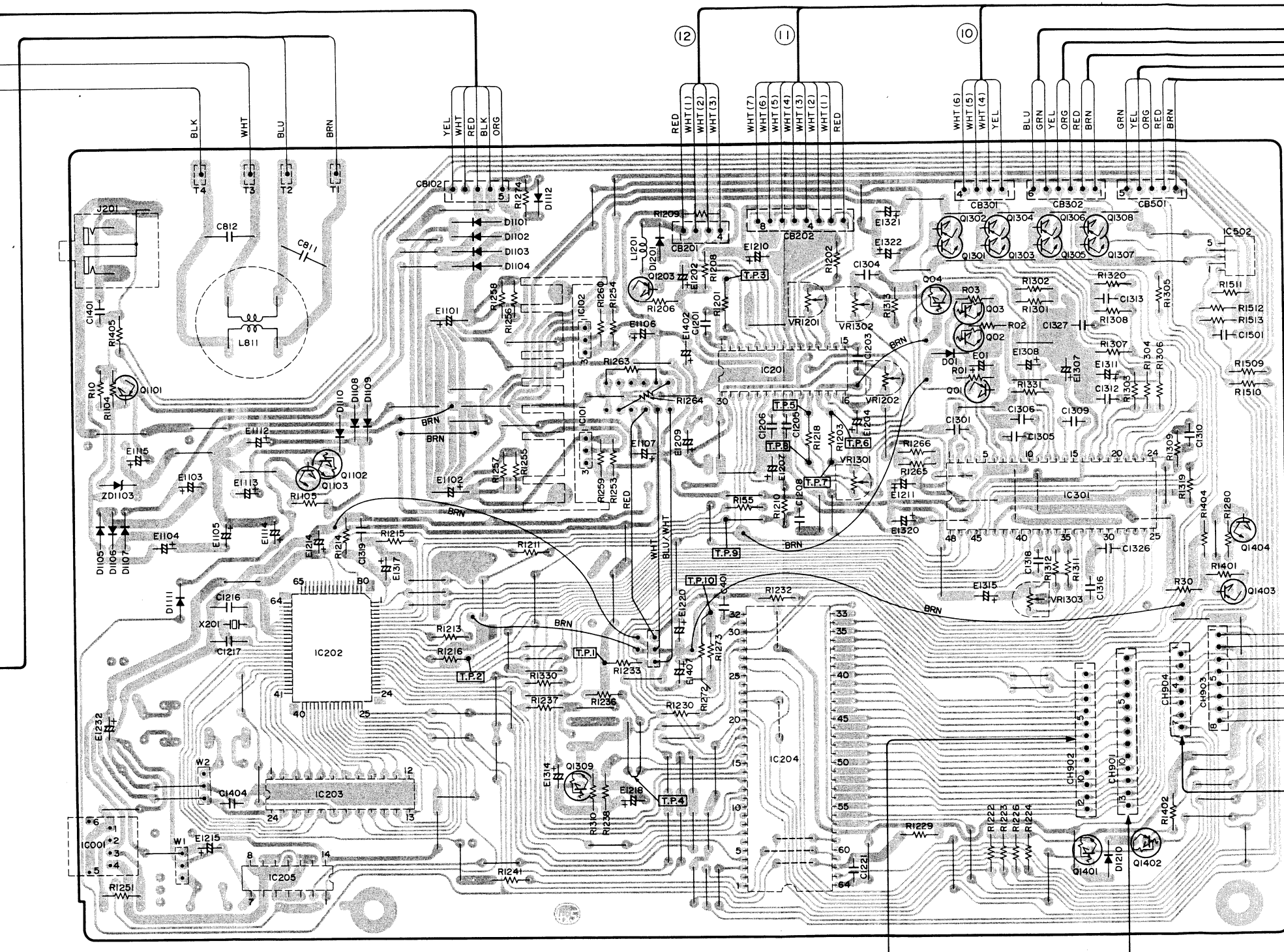
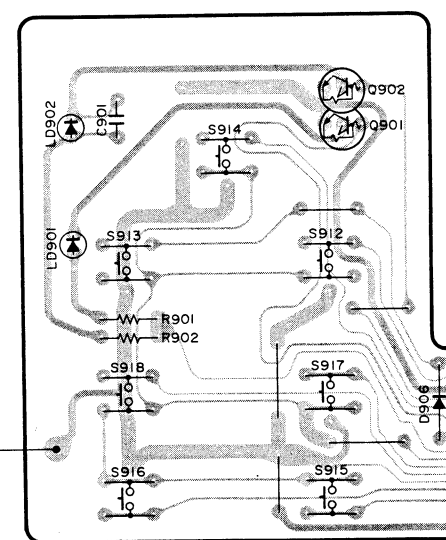


Parts Layout on P.C. Boards and Wiring Diagram (Without Safety Regulations Version)

1
2
3
4
5
A
B
C
D
E
F
G
H

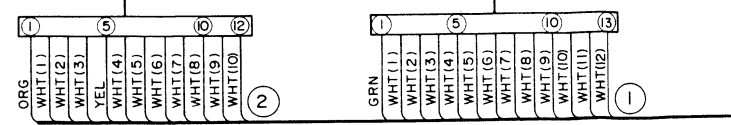


- BLU Blue
- GRN Green
- BLK Black
- GRY Gray
- WHT White
- RED Red
- BRN Brown
- ORG Orange
- YEL Yellow
- VIO Violet
- PNK Pink
- GRN/WHT Green/White
- GRY/WHT Gray/White
- GRY/YEL Gray/Yellow
- GRN/YEL Green/Yellow
- SHLD Shield

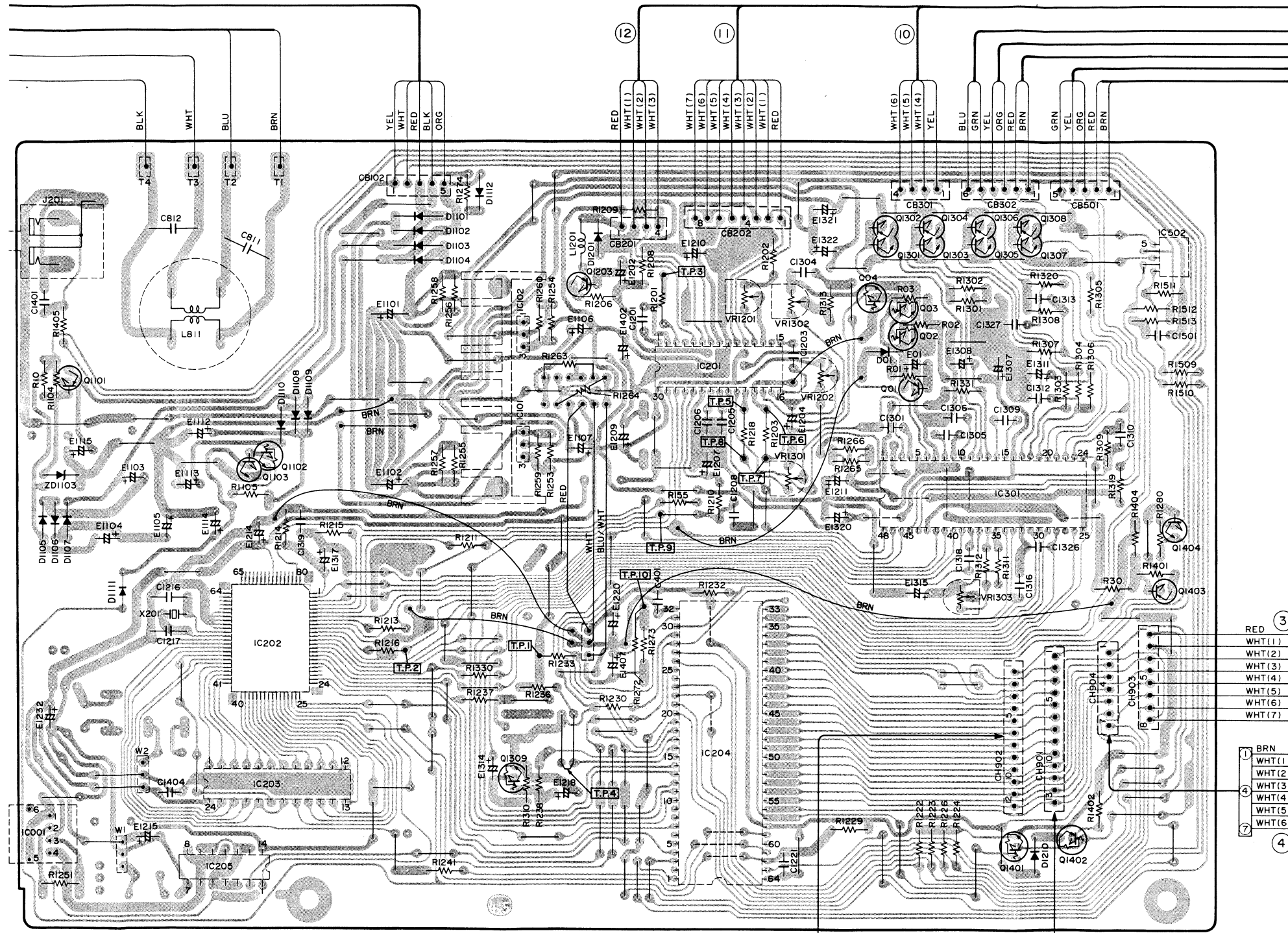


MAIN P.C. BOARD

KEY BOARD P.C. BOARD



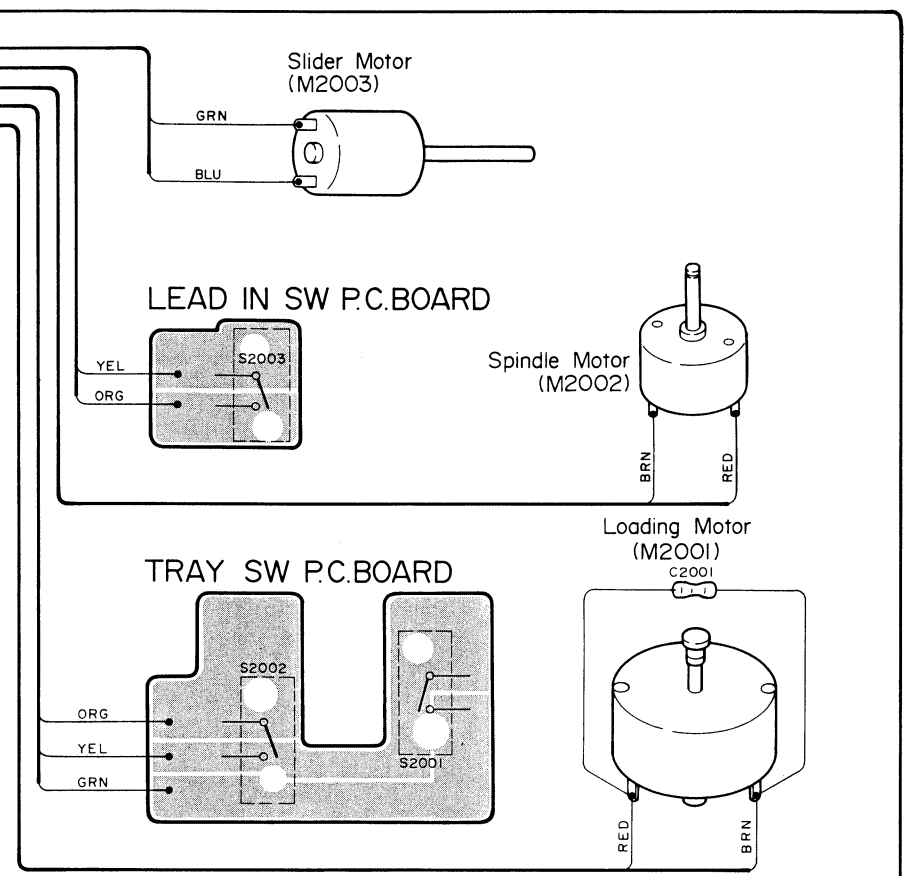
(Without Safety Regulations Version)



MAIN P.C. BOARD

KEY BOARD P.C. BOARD

POWER SW P.C. BOARD

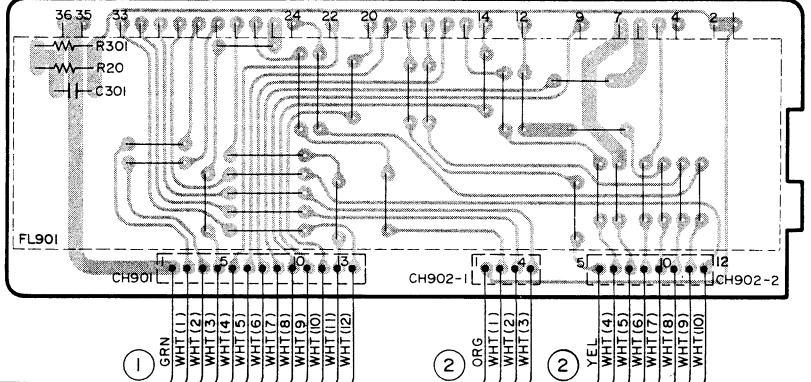


LEAD IN SW P.C. BOARD

TRAY SW P.C. BOARD

Head Optical Pick Up (HD2001)

FL P.C. BOARD



D | I | E | F | G | H | I | J | K

Electrical Parts List

Resistor : Carbon resistors under 1/4 watts are not mentioned in the parts list, please confirm them by schematic diagram.

Capacitor : μF = microfarads, pF = picofarads

Abbreviations		
RES. = Resistor	CAP. = Capacitor	
C.F. = Carbon Film	ELY. = Electrolytic	
M.F. = Metal Film	CER. = Ceramic	
M.O. = Metal Oxide Film	MYL. = Mylar	
M.P. = Metal Plate	TAN. = Tantalum	
TR. = Transistor	POLY. = Polystyrol	
TRANS. = Transformer	PP. = Polypropylene	
CP. = Chip	PLT. = Polyethylene	
Symbol No.	Part No.	Description
Main P. C. Board		
IC's		
IC201	51T84721F01	CXA1081S
IC202	51T84720F01	CXD1125QZ
or	51T84719F01	CXD1135QZ
IC203	51T84723F01	LC3516AS-15
or	51T80623F02	CXK5816SP
IC204	51T96283F01	96283F01
IC205	51T94890F02	MC74HC00N
IC301	51T84722F02	CXA1082BS
IC502	51T90889F01	LA6501
Transistors		
Q01	48T43526F02	2SA950
Q02	48T82763F04	DTC144EL
Q03	48T82763F04	DTC144EL
Q04	48T82763F11	DTC124TL
Q1101	48T82757F01	2SA1561
Q1102	48T82763F02	DTC114EL
Q1103	48T82758F01	2SC4038
Q1203	48T82759F01	2SB1277
Q1301	48T82759F01	2SB1277
Q1302	48T83275F01	2SD1919
Q1303	48T82759F01	2SB1277
Q1304	48T83275F01	2SD1919
Q1305	48T82759F01	2SB1277
Q1306	48T83275F01	2SD1919
Q1307	48T82759F01	2SB1277
Q1308	48T83275F01	2SD1919
Q1309	48T82763F02	DTC114EL
Q1401	48T82763F02	DTC114EL
Q1402	48T82762F02	DTA114EL
△ Q1403	48T51118F02	2SA1015
○ Q1403	48T81102F02	2SA1015
Q1404	48T57305F04	2SD1302
Diodes		
D01	48T58583F01	1SS176TPA7
or	48T84758F01	1SS270ATD
D1101	48S40477U01	1N4003
D1102	48S40477U01	1N4003
D1103	48S40477U01	1N4003
D1104	48S40477U01	1N4003
D1105	48T58583F01	1SS176TPA7
or	48T84758F01	1SS270ATD
D1106	48T58583F01	1SS176TPA7
or	48T84758F01	1SS270ATD
D1107	48T58583F01	1SS176TPA7
or	48T84758F01	1SS270ATD
D1108	48T58583F01	1SS176TPA7
or	48T84758F01	1SS270ATD
D1109	48T58583F01	1SS176TPA7
or	48T84758F01	1SS270ATD
D1110	48T58583F01	1SS176TPA7
or	48T84758F01	1SS270ATD
D1111	48T58583F01	1SS176TPA7
or	48T84758F01	1SS270ATD
D1112	48T58583F01	1SS176TPA7
or	48T84758F01	1SS270ATD
D1201	48T58583F01	1SS176TPA7
or	48T84758F01	1SS270ATD
D1210	48T58583F01	1SS176TPA7
or	48T84758F01	1SS270ATD
ZD1103	48T52739F85	Zener, HZ20-1
Coils / Crystal		
L811	24T15610W01	Choke, PLA6003R3A
L1201	24T50508F22	Inductor, 10 μH
X201	91T25773W92	Crystal, 16.9344MHz
Capacitors		
E01	23T00180L21	ELY., 1 μF / 50V
C401	08T00152L09	CER., 1000pF
E1101	23T00181L79	ELY., 3300 μF / 16V
E1102	23T00181L79	ELY., 3300 μF / 16V
E1103	23T00181L30	ELY., 470 μF / 25V
E1104	23T00181L30	ELY., 470 μF / 25V
E1105	23T00181L20	ELY., 470 μF / 16V
E1106	23T00181L48	ELY., 100 μF / 50V
E1107	23T00181L48	ELY., 100 μF / 50V
E1112	23T00181L29	ELY., 330 μF / 25V

Note : △: Without Safety Regulations Version, Others : Common.

○: With Safety Regulations Version,

Symbol No.	Part No.	Description	Symbol No.	Part No.	Description
E1113	23T00180L21	ELY., 1 μ F / 50V	C1401	21S40655F23	CER., 100pF
E1114	23T00180L25	ELY., 10 μ F / 50V	E1402	23T00180L26	ELY., 22 μ F / 50V
E1115	23T00180L24	ELY., 4.7 μ F / 50V	C1404	08T94422F01	CER., 0.47 μ F
C1201	08T57705F59	MYL., 2200pF	E1407	23T00180L26	ELY., 22 μ F / 50V
E1202	23T00180L14	ELY., 100 μ F / 25V	C1501	08T57298F01	CER., 0.1 μ F
C1203	08T57705F73	MYL., 0.033 μ F	Resistors		
E1204	23T00180L08	ELY., 33 μ F / 16V	R1264	06T92264F17	M.F., 47 ohm 2W
C1205	08T57705F67	MYL., 0.01 μ F	R1272	06T92264F29	M.F., 150 ohm 2W
C1206	08T57705F67	MYL., 0.01 μ F	VR1201	18T15356W15	Variable, 22K ohm
E1207	23T00180L20	ELY., 0.47 μ F / 50V	VR1202	18T15356W15	Variable, 22K ohm
C1208	08T57705F67	MYL., 0.01 μ F	VR1301	18T15356W15	Variable, 22K ohm
E1209	23T00180L26	ELY., 22 μ F / 50V	VR1302	18T15356W15	Variable, 22K ohm
E1210	23T00180L08	ELY., 33 μ F / 16V	VR1303	18T15356W09	Variable, 2.2K ohm
E1211	23T00180L26	ELY., 22 μ F / 50V	Keyboard P. C. Board		
E1214	23T00180L08	ELY., 33 μ F / 16V	Transistors		
E1215	23T00180L26	ELY., 22 μ F / 50V	Q901	48T82763F02	DTC114EL
C1216	08T55260F13	CER., 10pF	Q902	48T82763F02	DTC114EL
C1217	08T55260F13	CER., 10pF	Diodes		
E1218	23T00180L21	ELY., 1 μ F / 50V	D901	48T84758F01	1SS270ATD
E1220	23T00180L26	ELY., 22 μ F / 50V	or	48T58583F01	1SS176TPA7
C1221	08T57298F01	CER., 0.1 μ F	D902	48T84758F01	1SS270ATD
C1222	08S65480F25	CER., 33pF	or	48T58583F01	1SS176TPA7
C1223	08T57298F01	CER., 0.1 μ F	D903	48T84758F01	1SS270ATD
C1224	08T57298F01	CER., 0.1 μ F	or	48T58583F01	1SS176TPA7
C1225	08S65480F25	CER., 33pF	D904	48T84758F01	1SS270ATD
C1226	08T94422F01	CER., 0.47 μ F	or	48T58583F01	1SS176TPA7
C1227	08T57298F01	CER., 0.1 μ F	D905	48T84758F01	1SS270ATD
E1232	23T00180L26	ELY., 22 μ F / 50V	or	48T58583F01	1SS176TPA7
C1301	08T57705F63	MYL., 4700pF	D906	48T84758F01	1SS270ATD
C1304	08T57705F59	MYL., 2200pF	or	48T58583F01	1SS176TPA7
C1305	08T57705F79	MYL., 0.1 μ F	D907	48T84758F01	1SS270ATD
C1306	08T57705F73	MYL., 0.033 μ F	or	48T58583F01	1SS176TPA7
E1307	23T00180L26	ELY., 22 μ F / 50V	LED's		
E1308	23T00180L24	ELY., 4.7 μ F / 50V	LD901	48T60947F07	SLH-34DU3F (ORG)
C1309	08T57705F79	MYL., 0.1 μ F	LD902	48T60947F05	SLH-34VR3F (RED)
C1310	08T57705F67	MYL., 0.01 μ F			
E1311	23T00180L26	ELY., 22 μ F / 50V			
C1312	08T57705F79	MYL., 0.1 μ F			
C1313	08T57705F69	MYL., 0.015 μ F			
E1314	23T00180L24	ELY., 4.7 μ F / 50V			
E1315	23T00180L26	ELY., 22 μ F / 50V			
C1316	08T57705F63	MYL., 4700pF			
E1317	23T00180L20	ELY., 0.47 μ F / 50V			
C1318	08T57705F55	MYL., 1000pF			
C1319	08T57705F73	MYL., 0.033 μ F			
E1320	23T00180L26	ELY., 22 μ F / 50V			
E1321	23T00180L26	ELY., 22 μ F / 50V			
E1322	23T00180L26	ELY., 22 μ F / 50V			
C1326	08T57298F01	CER., 0.1 μ F			
C1327	08T57298F01	CER., 0.1 μ F			

Note : Δ : Without Safety Regulations Version, \circ : With Safety Regulations Version, Others : Common.

Symbol No.	Part No.	Description	Symbol No.	Part No.	Description
Switches			S811	40T83324F15	Switch, Tact SKHHPM (POWER)
S901	40T83324F13	Tact, SKHHP (1)	S812	40T80258F03	Switch, Voltage Select
S902	40T83324F13	Tact, SKHHP (2)	S2001	40T71025F01	Switch, Detector (CLOSE)
S903	40T83324F13	Tact, SKHHP (3)	S2002	40T71025F01	Switch, Detector (OPEN)
S904	40T83324F13	Tact, SKHHP (4)	S2003	40T71025F01	Switch, Detector (LIMIT)
S905	40T83324F13	Tact, SKHHP (5)	T001	25T16210W01	TRANS., Power
S906	40T83324F13	Tact, SKHHP (6)	HD2001	88T81528F01	Head, Optical Pickup
S907	40T83324F13	Tact, SKHHP (7)	M2001	01V11200W42	Assy., Motor Loading
S908	40T83324F13	Tact, SKHHP (8)	M2002	59T81431F01	Motor, Spindle
S909	40T83324F13	Tact, SKHHP (9)	M2003	01V94700F74	Assy., Motor Slider
S910	40T83324F13	Tact, SKHHP (10)			
S911	40T83324F13	Tact, SKHHP (+ 10)			
S912	40T83324F15	Tact, SKHHPM (STOP)			
S913	40T83324F15	Tact, SKHHPM (PAUSE)			
S914	40T83324F15	Tact, SKHHPM (PLAY)			
S915	40T83324F15	Tact, SKHHPM (B.FWD)			
S916	40T83324F15	Tact, SKHHPM (F.FWD)			
S917	40T83324F15	Tact, SKHHPM (B.SKIP)			
S918	40T83324F15	Tact, SKHHPM (F.SKIP)			
S920	40T83324F15	Tact, SKHHPM (OPEN / CLOSE)			
S921	40T83324F15	Tact, SKHHPM (T-DISP)			
S922	40T83324F15	Tact, SKHHPM (PROG)			
S923	40T83324F15	Tact, SKHHPM (CHECK)			
S924	40T83324F15	Tact, SKHHPM (CLEAR)			
S925	40T83324F15	Tact, SKHHPM (REPEAT)			
Capacitor					
C901	08T00152L18	CER., 180pF			
FL P. C. Board					
Capacitor					
C301	08T57705F79	MYL., 0.1 μ F			
Miscellaneous					
C811	08T57437F09	CAP., CER. 0.01 μ F			
C812	08T57437F09	CAP., CER. 0.01 μ F			
C2001	08S40154T63	CAP., CER. 0.022 μ F			
FL901	65T83067F01	FL Display			
IC001	51T95249F02	IC, TOTX176			
IC101	51T94884F06	IC, MC7805			
IC102	51T94885F01	IC, MC7905			
J201	09T15461W01	Jack, Mini 2P (BUS LINE)			
P001	28T43812P04	AC Power Cord			

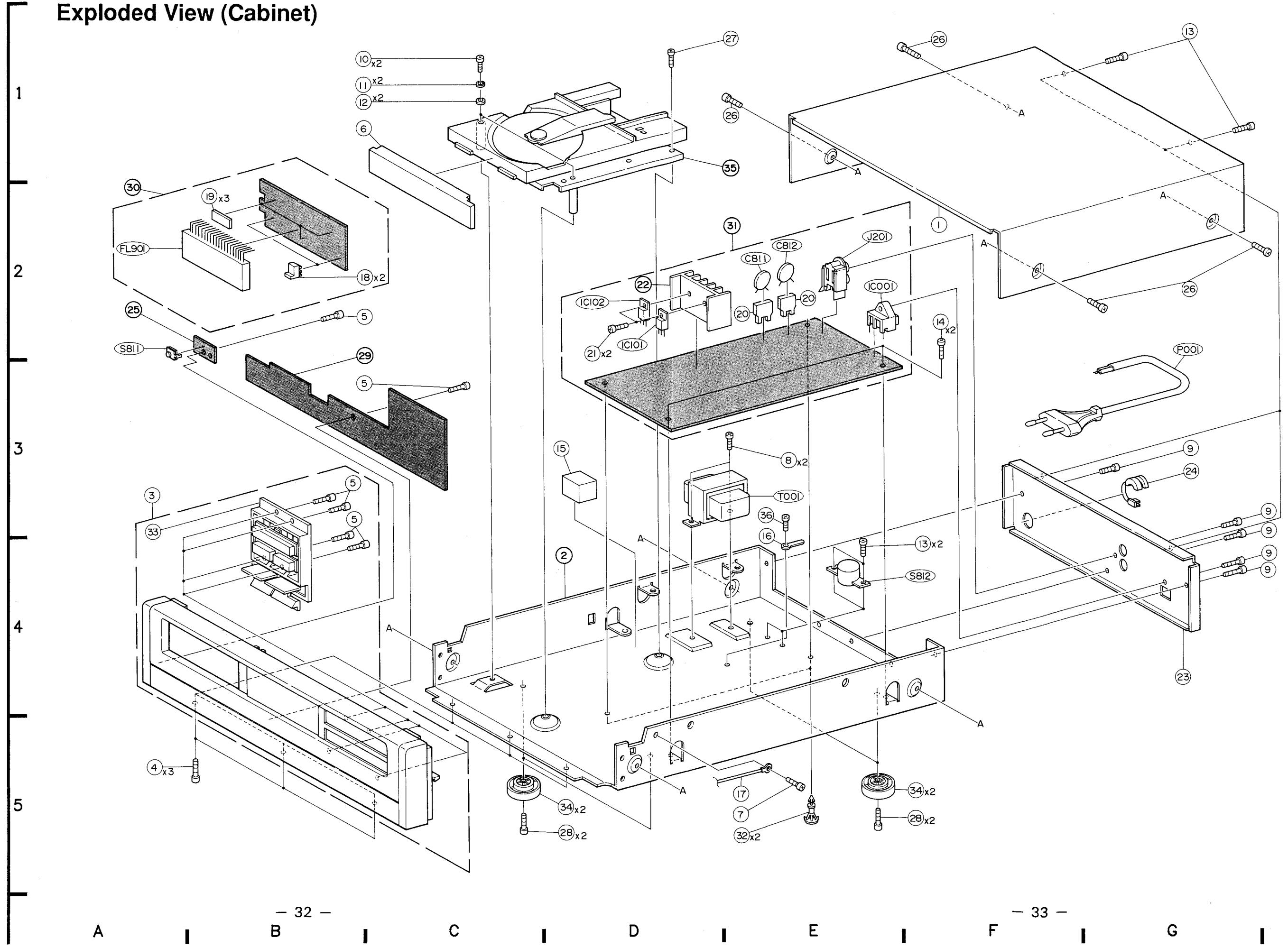
Cabinet Assembly Parts List

NOTE : The parts without parts list are not supplied.

Symbol No.	Index	Part No.	Description	Symbol No.	Index	Part No.	Description
	1	2-F	15C11319W01	Cover, Top			
	3	3-A	64C21450W02	Assy., Front Panel			
	4	5-A	03S71031F10	Screw, Bind (M3×6)			
	5		03S71031F02	Screw, Bind (M2.6×8)			
	6	1-C	64B11331W01	Panel, Tray			
	7	5-E	03S40018G08	Screw, TPG. (M3×8)			
	8	3-E	03S44205G69	Screw, Bind (M4×6)			
	9		03S82672F20	Screw, Bind (M3×8)			
	10	1-C	03A83946F01	Screw, Special (M3×35)			
	11	1-C	04S40071G14	Washer, Spring (M4.1)			
	12	1-C	04S40070G59	Washer, Flat (M4.1)			
	13		03S71031F04	Screw, Bind (M3×8)			
	14	2-F	03S71677F38	Screw, Flange (M3×6)			
	15	3-D	75S12196W23	Cushoin, Rubber			
	16	4-E	29C41045P05	Lug, Wrap Around			
	17	5-E	01T16121W01	Assy., Lug Wire			
	18	2-B	07A83876F01	Support, FL			
	19	2-B	75S12196W21	Cushoin, Rubber			
	20	3-E	43T53136F04	Bush, Cap			
	21	2-D	03S44205G85	Screw, Bind (M3×8)			
△	23	4-G	15C11330W07	Cover, Rear			
○	23	4-G	15C11330W08	Cover, Rear			
	24	3-G	43B41625J02	Support, Cord			
	26		03S40036U05	Screw, Bind (M3×8)			
	27	1-E	03S13049W04	Screw, Bind (M3×33)			
	28		03S44205G82	Screw, Bind (M4×10)			
	32	5-E	15T84846F03	Holder, LSR-10R			
	33	3-A	36C11327W01	Knob, Logic			
	34		75T11325W01	Trann-Leg Assy.			
	36	3-E	03S44205G40	Screw, Bind (M3×4)			

Note : △ : Without Safety Regulations Version, ○ : With Safety Regulations Version, Others : Common.

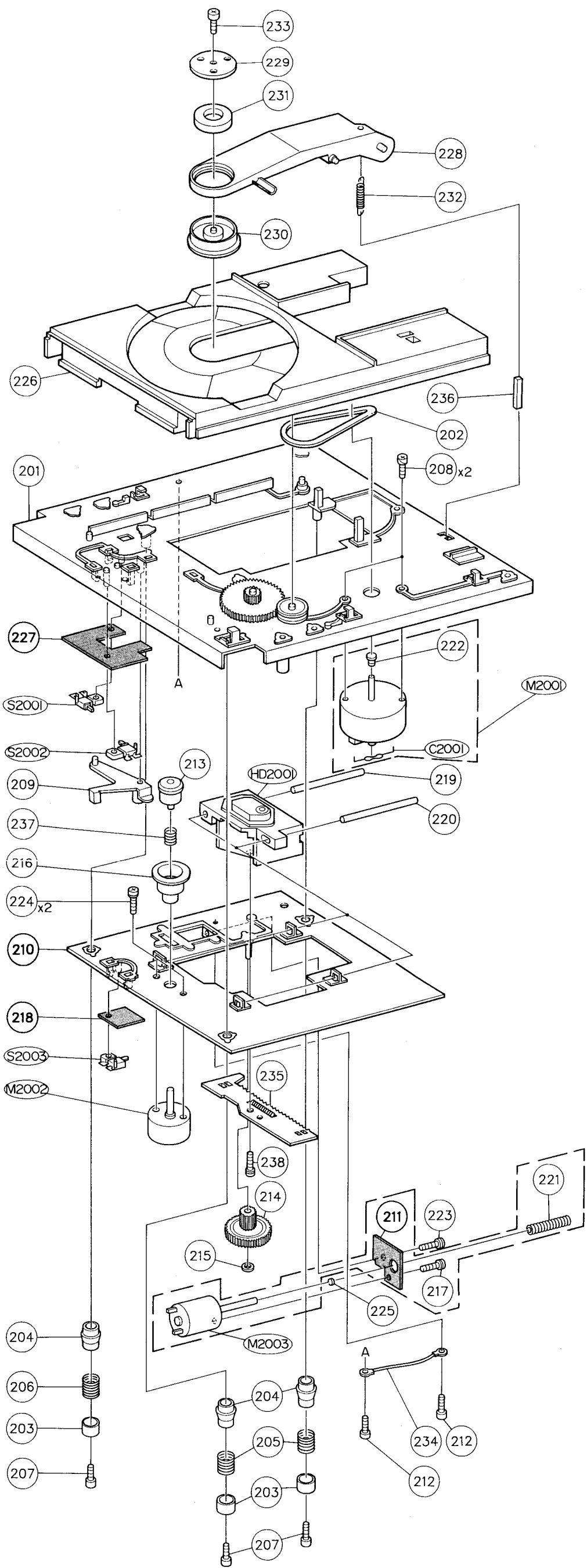
Exploded View (Cabinet)



Exploded View (Mechanism)

D-008

D-008



5

4

3

2

1

- 34 -

- 35 -

A I B I C I D I E I F I G I H

Mechanism Assembly Parts List

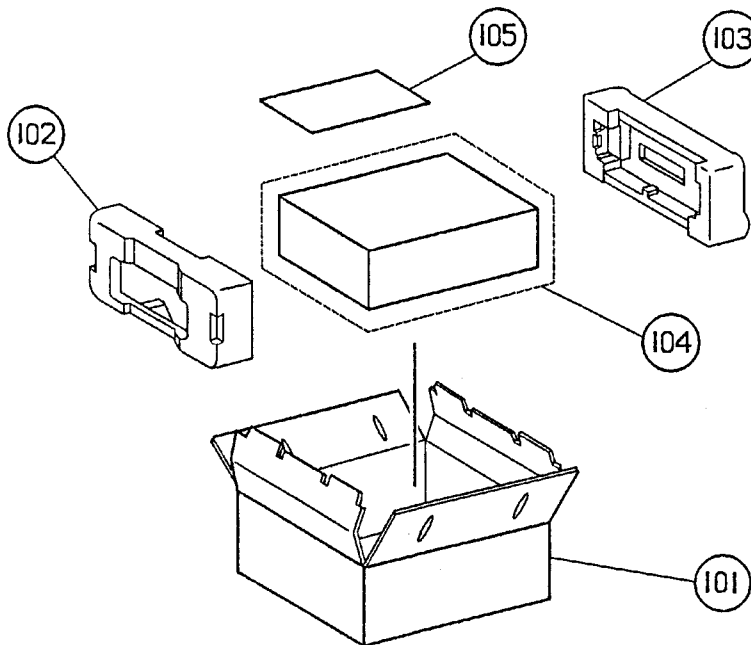
NOTE : The parts without parts list are not supplied.

Symbol No.	Index	Part No.	Description	Symbol No.	Index	Part No.	Description
201	4-C	01C82391F01	Assy., Chassis Main				
202	2-C	42A81427F02	Belt, Drive				
203		43A81407F01	Bush, Damper				
204		75A81411F01	Rubber, Damper				
205	3-G	41A81428F03	Spring, Compression				
206	4-G	41A81428F05	Spring, Compression				
207		03S40012G47	Screw, TPG. (M2.6×8)				
208	2-C	03D40014G19	Screw, W/Washer (M2.6×5)				
209	4-D	45A81434F01	Arm, Switch				
212	2-G	03S44205G30	Screw, Pan (M2.6×4)				
213	4-D	49B81417F01	Guide, Disc				
214	3-F	44A81401F01	Gear, Worm Wheel				
215	3-F	04B41345P02	Washer, Lock (M1.7)				
216	4-E	49B81414F01	Table, Disc				
217	2-G	03D40014G62	Screw, W/Washer (M2×3)				
219	2-D	47A81426F01	Shaft, Head				
220	2-D	47A81426F02	Shaft, Head				
221	2-F	44A96257F01	Worm, Drive				
222	2-D	49A81397F01	Pulley, Loading Motor				
223	2-F	03S94385F23	Screw, Pan (M2×5)				
224	4-E	03D40014G07	Screw, W/Washer (M2×4)				
225	3-G	43A41182P02	Ball, Steel				
226	4-B	01C10716W02	Assy., Tray Disc				
228	2-A	45C81418F04	Arm, Clamp				
229	3-A	07A81413F02	Bracket, Magnet				
230	3-B	49A81403F01	Wheel, Clamp				
231	3-A	59T81430F01	Magnet				
232	2-B	41B81429F02	Spring, Extension				
233	3-A	03S70494F08	Screw, Bind (M2×5)				
234	2-G	01T92483F01	Assy., Lug Wire (1P)				
235	3-F	01A82323F01	Assy., Rack				
236	2-B	75S12196W06	Cushion, Rubber				
237	4-D	41A81428F01	Spring, Compression				
238	3-F	03S70494F01	Screw, Bind (M2×5)				

Packing Assembly Parts List

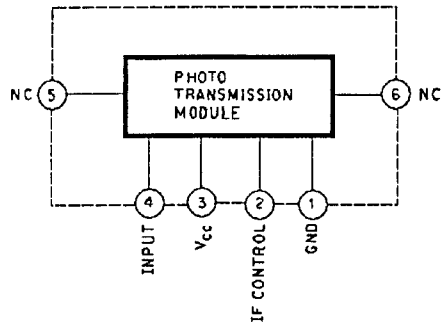
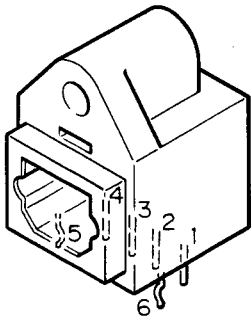
Symbol No.	Part No.	Description	Symbol No.	Part No.	Description
101	56S10005W87	Carton, Packing			
102	56D11322W01	Tray, Packing (L)			
103	56D11322W02	Tray, Packing (R)			
104	56B13156W02	Sheet, Packing			
105-1	28T15332W02	Cord, Control			
105-2	68P21552W02	Owner's, Manual			
105-3	01T25607W01	Cord, Optical Fiber			

Packing Method View

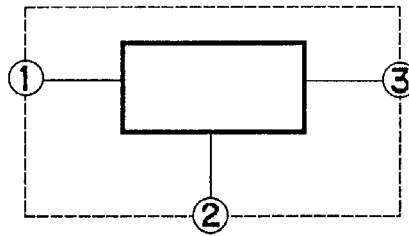
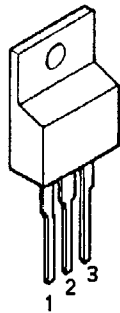


Semi - Conductor Lead Identifications

TOTX176 : IC001

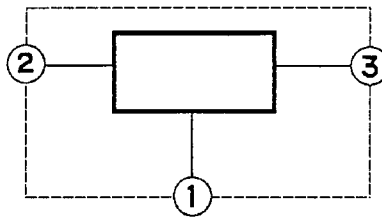
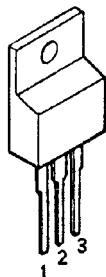


MC7805 : IC101



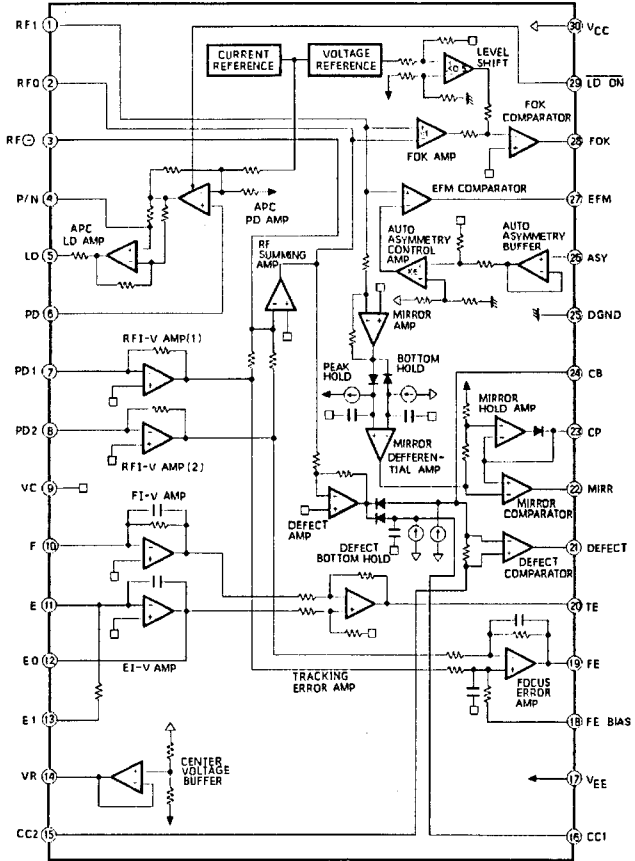
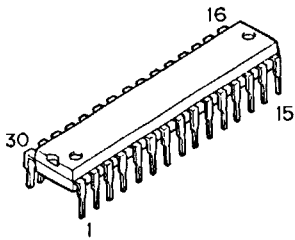
- 1 INPUT
- 2 GND
- 3 OUTPUT

MC7905 : IC102

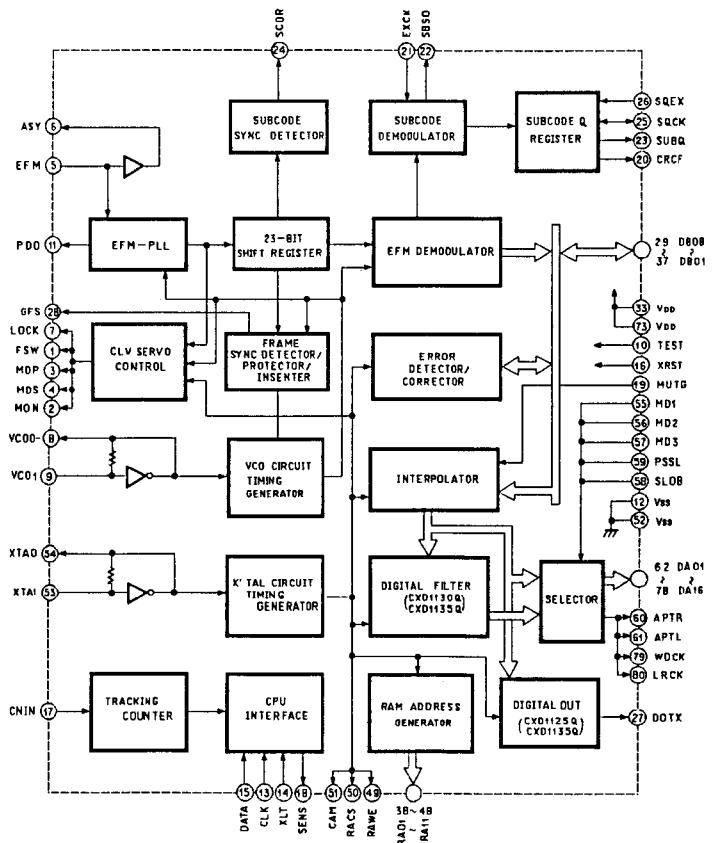
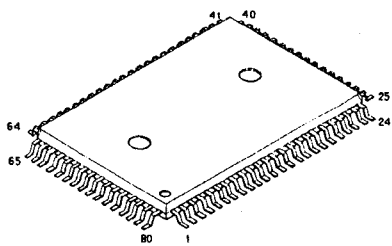


- 1 GND
- 2 INPUT
- 3 OUTPUT

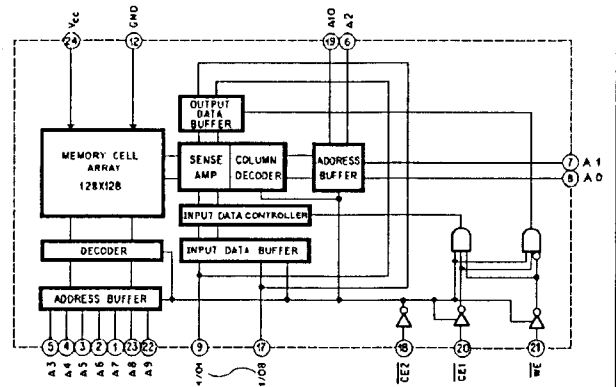
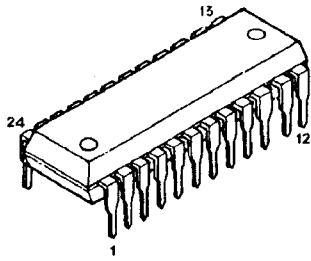
CXA1081S : IC201



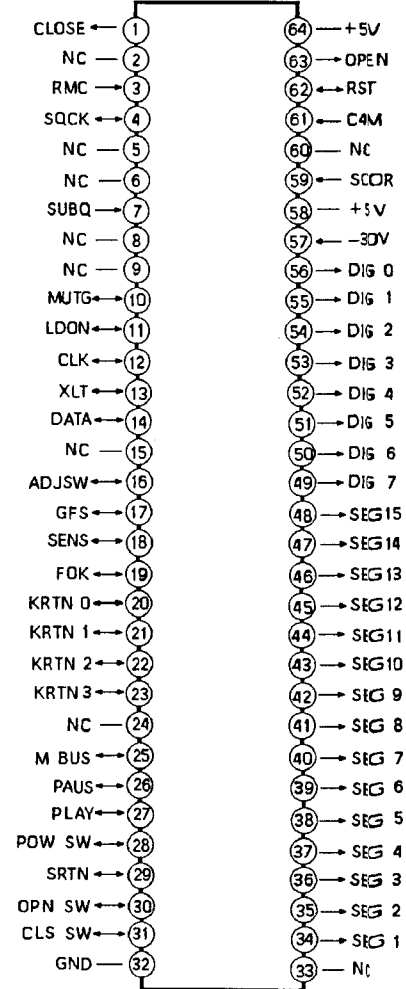
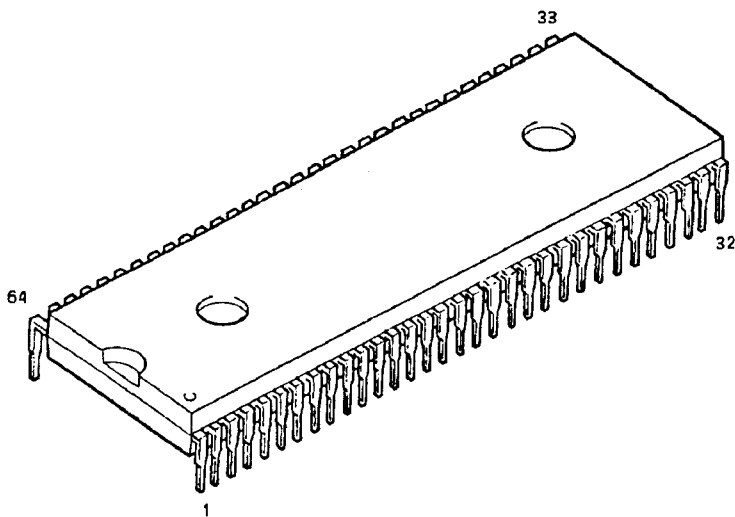
CXD1125QZ
CXD1135QZ } : IC202



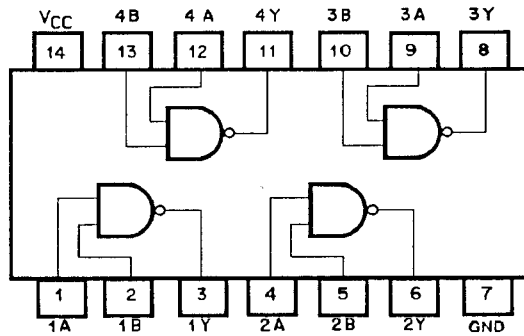
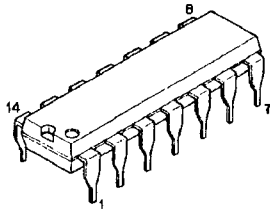
LC3516AS-15
CXK5816SP } : IC203



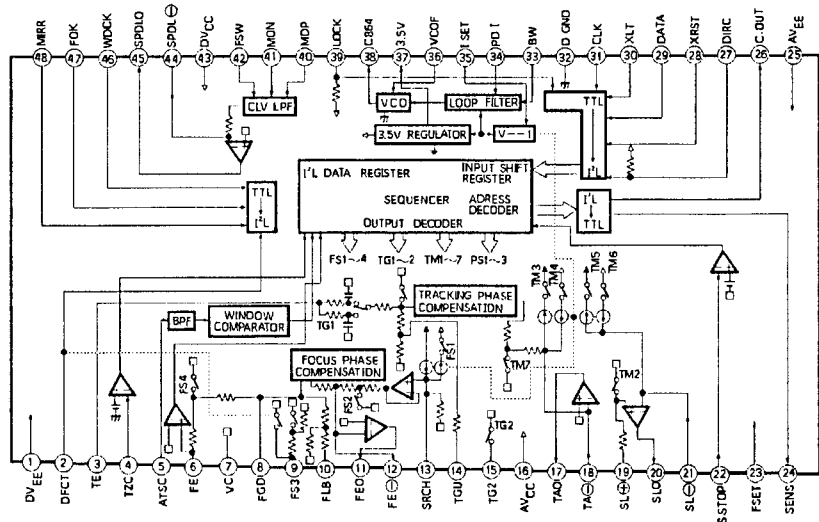
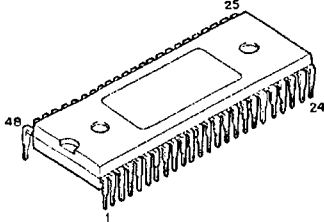
96283F01 : IC204



MC74HC00N : IC205



CXA1082BS : IC301



LA6501 : IC502

